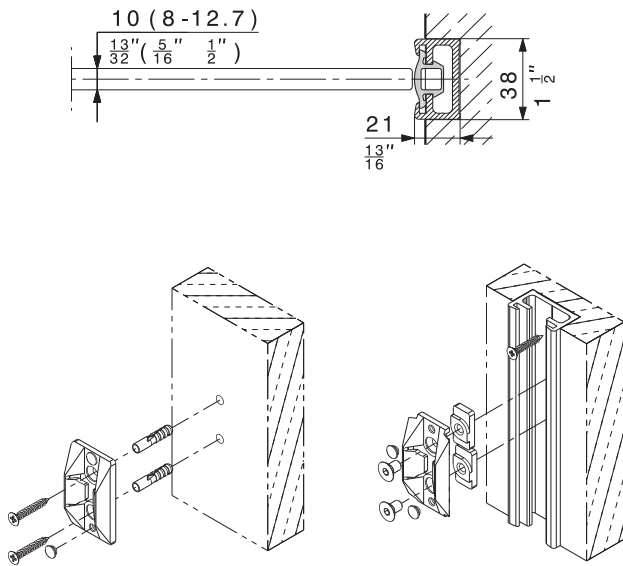


HAWA-Wall connection profile

The ideal wall connection profile for all-glass sliding doors with unprotected glass edges, e.g. for HAWA-Junior GP and GS.



Wall connection profile

Caution: Minor differences in colour are possible.		mm/inch	code
	Wall profile, alu undrilled	plain anodized	2500 (8'2 ⁷ / ₁₆) 17020
		stainless steel effect, brushed	3500 (11'5 ¹³ / ₁₆) 17021
	Seal profile, black, for wall profile	roll	2500 (8'2 ⁷ / ₁₆) 16452
		roll	3500 (11'5 ¹³ / ₁₆) 16453
	Centering assembly black for all glass sliding doors, to wall profile		18663
	Centering assembly grey for all glass sliding doors		18619

HAWA-Rubber profile for glass edge protection

Self-adhesive rubber profile fitted along the glass edge minimises draughts and buffers impacts between adjacent all-glass sliding doors.

Rubber profile for glass edge protection

	roll of	code
	Rubber profile self-adhesive, for 8/10 mm (⁵ / ₁₆ / ¹³ / ₃₂) glass thickness, black, glass distance 4 mm (⁵ / ₃₂)	5 m (16'4 ²⁷ / ₃₂) 19442
		10 m (32'9 ²³ / ₃₂) 19443
		50 m (164' ¹ / ₂) 19444
	Rubber profile self-adhesive, for 8/10 mm (⁵ / ₁₆ / ¹³ / ₃₂) glass thickness, translucent, glass distance 4 mm (⁵ / ₃₂)	5 m (16'4 ²⁷ / ₃₂) 19445
		10 m (32'9 ²³ / ₃₂) 19446
		50 m (164' ¹ / ₂) 19447

