



enrico cassina
SINCE 1850

The style masters in handles of all eras



MOON CHARME

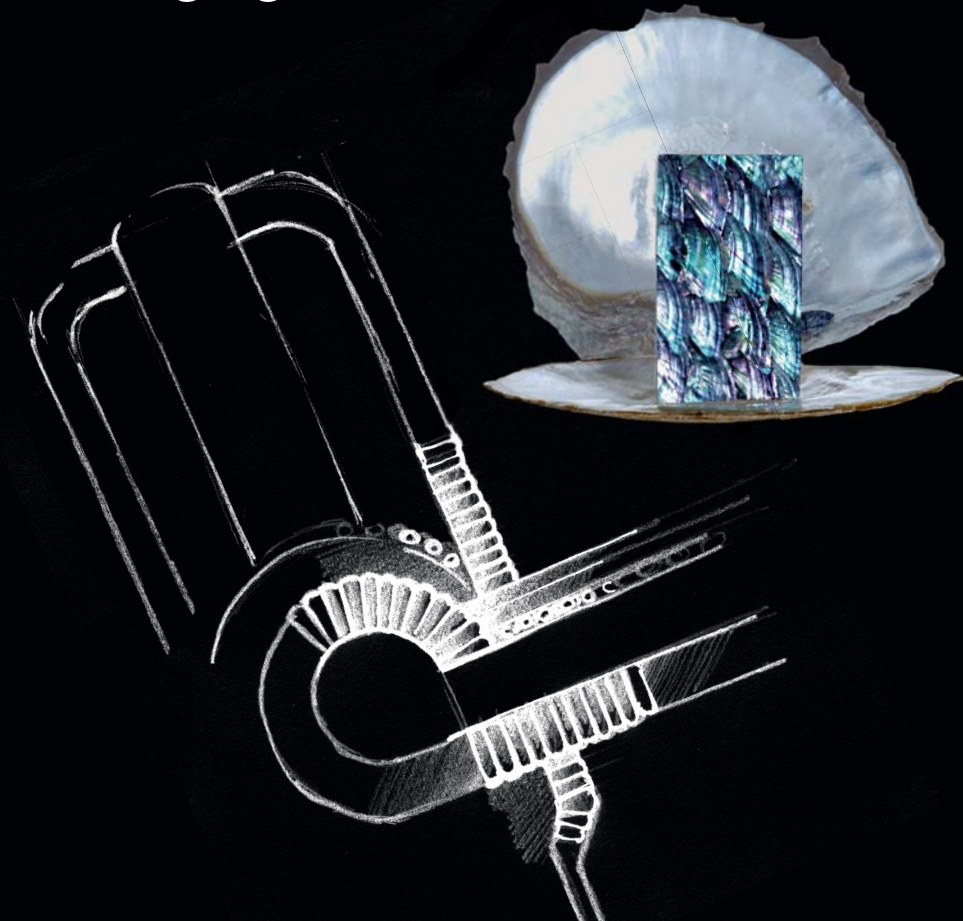
Superlativa® – an idea emerging from a sea of dreams

Superlativa® is a type of mother-of-pearl microfilm, produced in an innovative and patented way that differs from traditional methods.

The mother-of-pearl production chain is eco sustainable and it has been ECOCREST® certified since 1996.

It is extracted solely from cultivated oysters, thereby ensuring the integrity of the ecosystem.

Superlativa® mother-of-pearl is harvested in Western Australia.




enrico cassina
SINCE 1850

An exclusive and exquisite luxury for your home

Moon Charme – an exclusive new line that combines ENRICO CASSINA design with a material that has always represented **sophistication and elegance**.

The design, inspired by the sinuous styles of the 50s and 60s, features soft, delicately rounded lines that wrap around mother-of-pearl inserts.

An elegant and impressive combination that lends a **distinctive touch to your interiors**.







C03010



C03011



C23000
C23000 Q



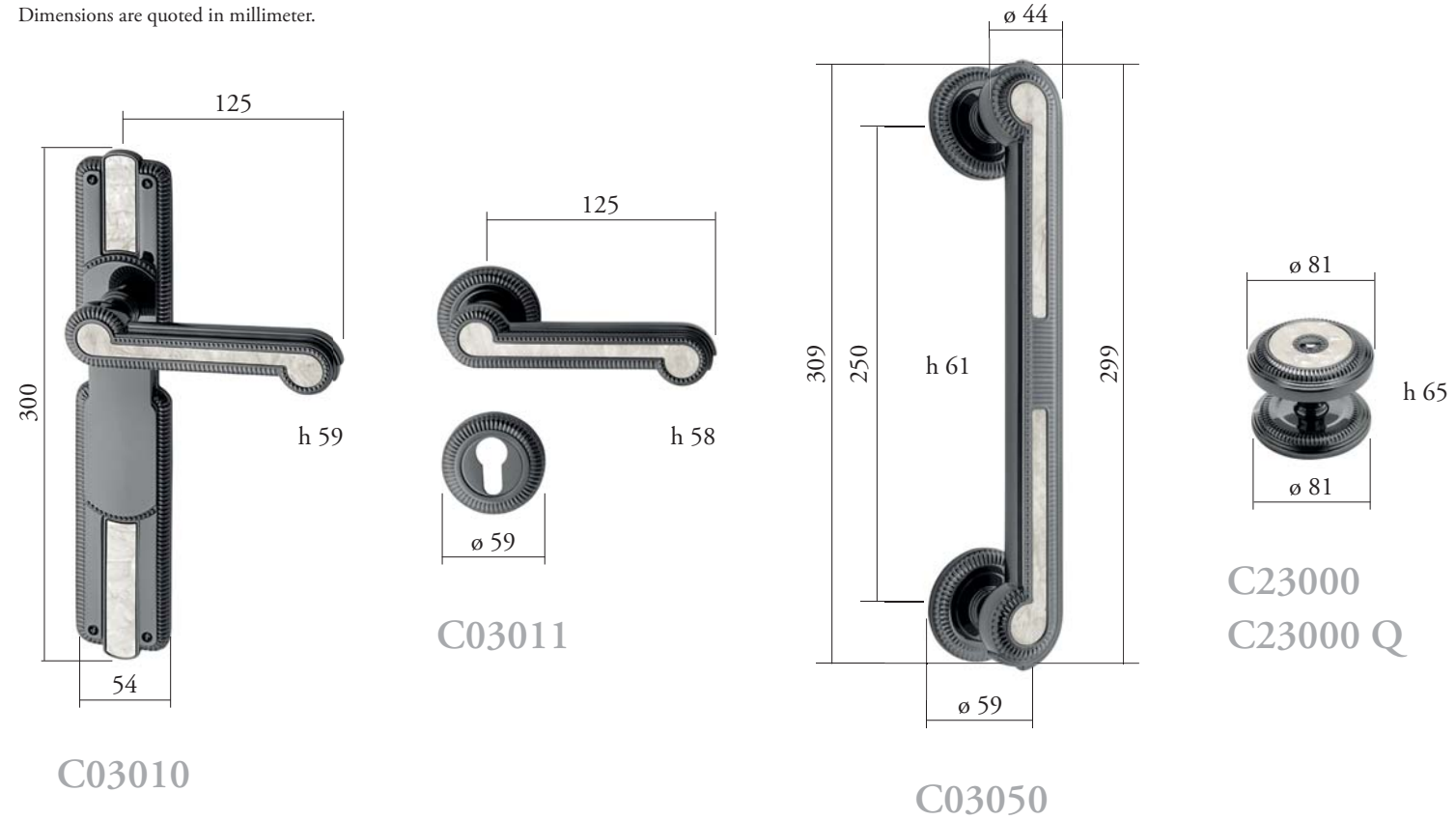
C03050



Technical Notes

A universal fixing system is used for all standard key holes and backset.
The mother-of-pearl insets are attached with Turboflex 4:1 and undergo seven different resistance tests: abrasion, flexion, impact, liquid absorption, stain resistance, scratch resistance and heat resistance.

Dimensions are quoted in millimeter.



Available finishes matched with mother of pearl Superlative®





enrico cassina

DAL 1850

The style masters in handles of all eras

MOON CHARME

MADE WITH MOTHER OF PEARL SUPERLATTIVA®





enrico cassina

DAL 1850

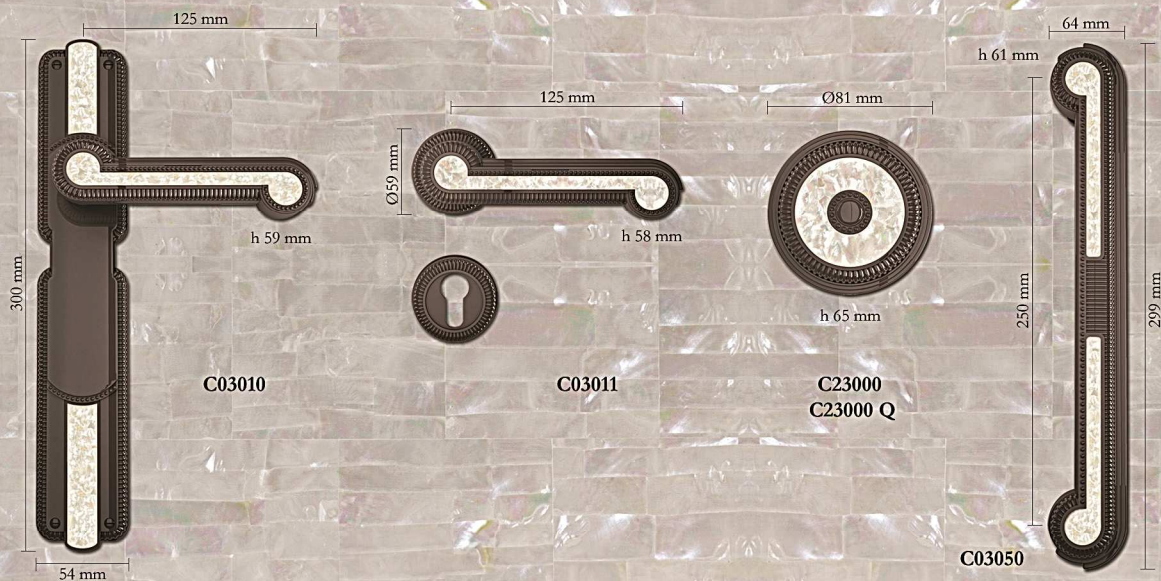
The style masters in handles of all eras

MOON CHARME

MADE WITH MOTHER OF PEARL SUPERLATIVA®

Una nuova linee di maniglie realizzate con inserti in vera madreperla naturale Superlativa®

A new handle collection realized with inserts in real mother-of-pearl Superlativa®



Superlativa® è uno speciale tipo di madreperla prodotta con criteri di eco-compatibilità certificati.

Superlativa® is a special kind of mother of pearl: the production chain is eco sustainable and certified.

15 finiture disponibili - 15 finishes available

www.enricocassina.it



enrico cassina

DAL 1850

The style masters in handles of all eras

MOON CHARME

MADE WITH SWAROVSKI® ELEMENTS





enrico cassina

DAL 1850

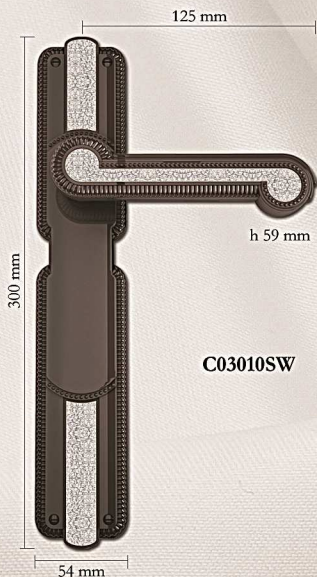
The style masters in handles of all eras

MOON CHARME

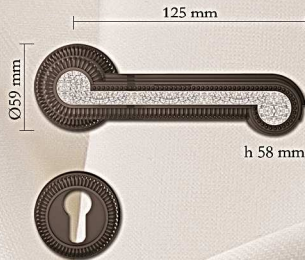
MADE WITH SWAROVSKI® ELEMENTS

Moon Charme si veste di un pavè MADE WITH SWAROVSKI ELEMENTS e lo indossa sui perfetti decori declinati in vasta gamma. Ricercatezza ed eleganza che sa essere glamour e frizzante.

The Moon Charme Collection is now made more precious with a pave MADE WITH SWAROVSKI ELEMENTS, that perfectly exalts the details. Sophistication and elegance in an ensemble that is glamorous and sparkling.



C03010SW



C03011SW



**C23000SW
C23000SW Q**



C03050SW



PAVET CRYSTAL

Minuscoli elementi di cristallo - Effetto super luminoso
Tiny crystal elements - A marvelous bright effect

15 finiture disponibili - 15 finishes available