



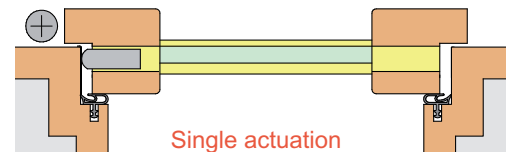
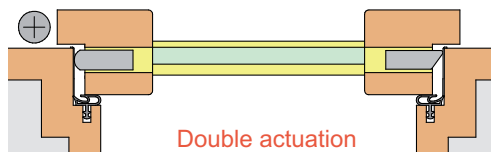
## Surface finish

- ▶ Silver-coloured, anodised C-0
- ▶ Stainless steel coloured, anodised C-31

## Adapter profile

- ▶ Adapter profile, 200 mm shorter than the Doppeldicht, length reduction as required

## Installation

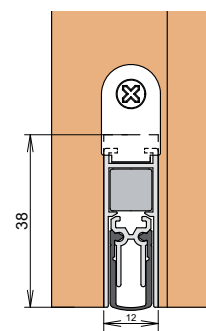
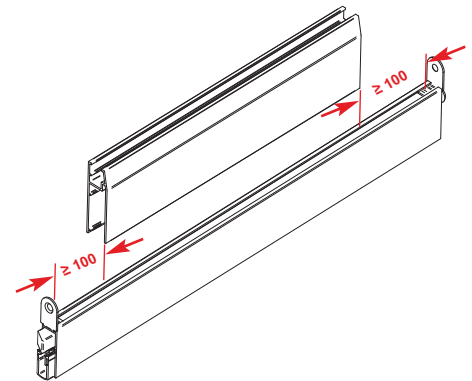
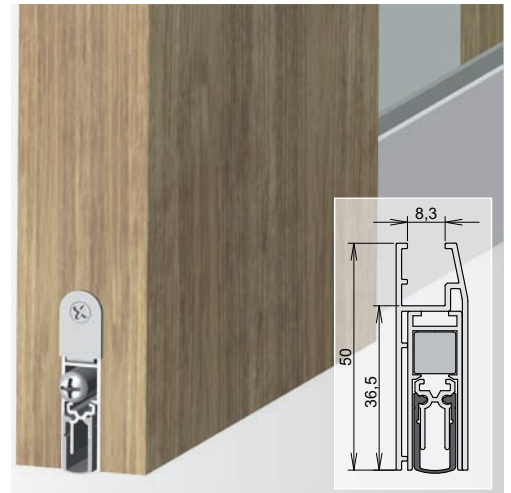


## Technical Data

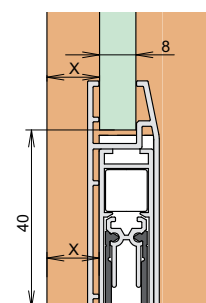
Dimensions	15 x 36,5 + 13,5 mm	
Actuation	Double actuation	Single actuation
Material of seal profile	Silicone, self-extinguishing	
Throw:	11 mm	
Minimum length	650 mm (n. s.)	235 mm (n. s.)
Standard lengths	708, 833, 958, 1,083, 1,208 mm	
Maximum length	1,333 mm	
Can be shortened by	Seal: 125 mm Adapter profile: as required	
Individually packed	Plastic bag	
Accessories (included in delivery)	Art. No. 5220 - Adapter profile - Stainless steel actuator plate	
Internet	Installation instructions List of accessories with illustrations Cross-sections, 1:1	

## DOPPELDICHT® HGT-8

- ▶ For commercial-grade doors with 8 mm glass thickness
- ▶ Single and double actuation
- ▶ Suitable for DIN-L and DIN-R doors
- ▶ Self-adhesive aluminium adapter profile that bonds to the glass
- ▶ Subsequent reduction in door height of 3 mm possible.



- ▶ End view: Wooden frame with groove
- Door leaf height can be reduced by 3 mm on site.



- ▶ Cross section: Glass element
- Glass 40 mm shorter at the bottom than the door leaf