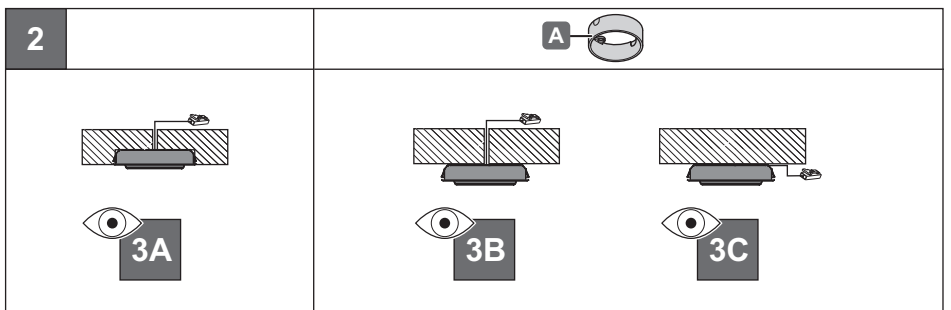
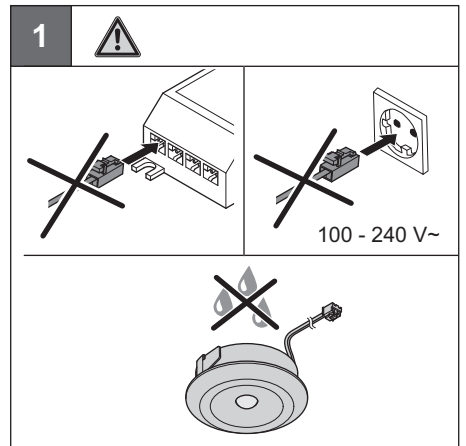
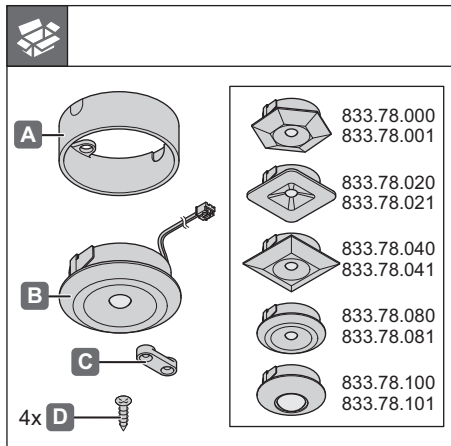




**LED 4003, LED 4004**  
**LED 4005, LED 4006**  
**LED 4007**

350 mA System		K	W	T <sub>A</sub>						
<b>LED 4003</b>	833.78.040	3000 K	1 W	-20 °C – +35 °C -4 °F – +95 °F	36x36x12	≥ 46x46x22				
	833.78.041	6000 K								
<b>LED 4004</b>	833.78.080	3000 K								
	833.78.081	6000 K								
<b>LED 4005</b>	833.78.100	3000 K								
	833.78.101	6000 K								
<b>LED 4006</b>	833.78.000	3000 K								
	833.78.001	6000 K								
<b>LED 4007</b>	833.78.020	3000 K								
	833.78.021	6000 K								
								833.80.900 833.80.901		



HDE 24.07.2012

732.28.290

