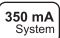



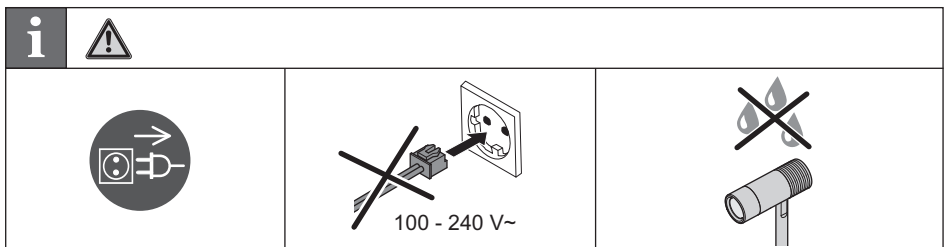
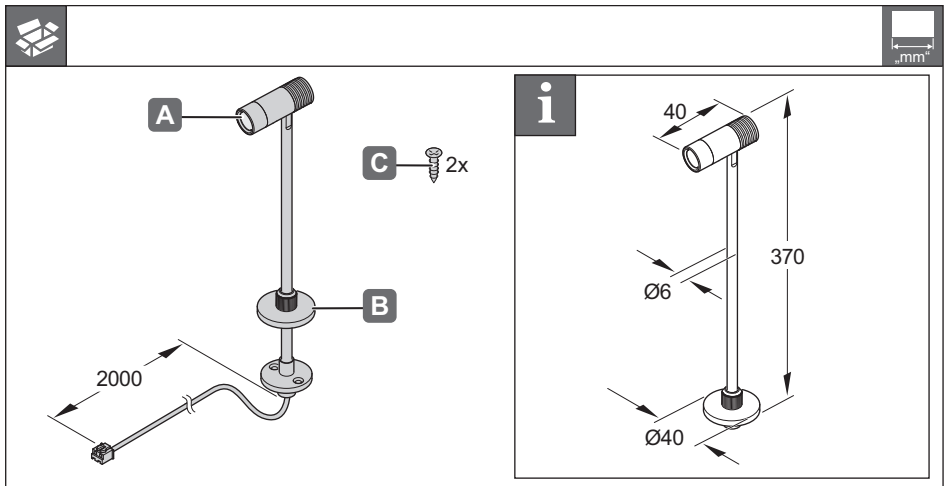




**LED 4011**

**833.80.000**  
**833.80.001**

	<b>K</b>	<b>W</b>	<b>T<sub>A</sub></b>			
833.80.000	4000 K	1.0 W	-20 °C – +35 °C -4 °F – +95 °F	370 x 40 x Ø40	≥ 380 x 50 x Ø50	833.80.900
833.80.001	6000 K		833.80.901			



HDE 14.01.2013

732.28.281

