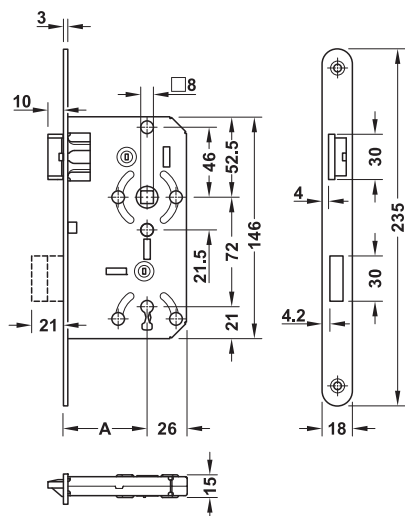


Mortice lock, cipher bit

2



- > Area of application: For rebated wooden doors
- > Material: Lock case and forend: Steel, latchbolt, deadbolt and lever follower: Polyamide
- > Type of locking: Cipher bit
- > Deadbolt: 2-turn
- > Forend: Round
- > Lever follower: 8 mm
- > Distance B: 72 mm
- > Standard: In accordance with EN 12209 category of use 1

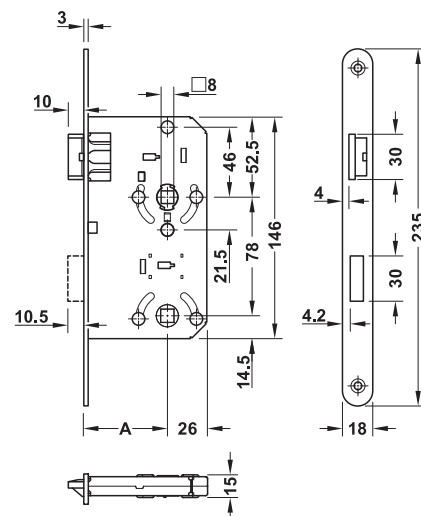
Supplied with

- 1 mortice lock
- 1 key

Forend width mm	Mounting	Steel, silver colour lacquered
Backset A 55 mm		
18	DIN left	911.01.192
	DIN right	911.01.193

Packing: 25 pieces

Mortice lock, Bathroom/WC



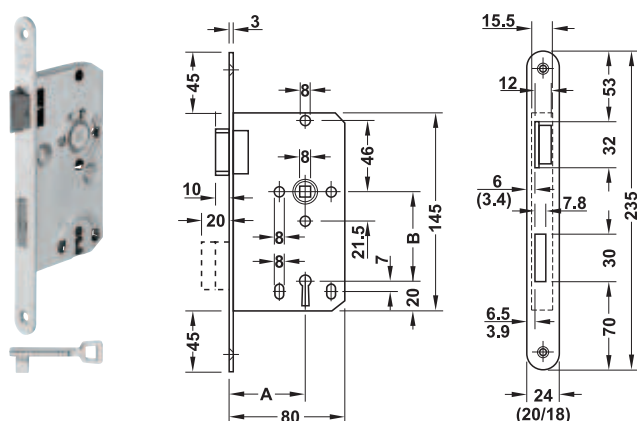
- > Area of application: For rebated wooden doors
- > Material: Lock case: Steel, latchbolt, deadbolt and lever follower: Polyamide
- > Type of locking: Bathroom/WC
- > Deadbolt: 1-turn
- > Forend: Round
- > Lever follower: 8 mm
- > Distance B: 78 mm
- > Standard: In accordance with EN 12209 category of use 1

Forend width mm	Mounting	Steel, silver colour lacquered
Backset A 55 mm		
18	DIN left	911.01.194
	DIN right	911.01.195

Packing: 25 pieces

DGH-B-INT 2019, HDE-en, 12/18; Dimensional data not binding. We reserve the right to alter specifications without notice.

Mortice lock, cipher bit



Dim. in brackets apply to forend width 18/20 mm

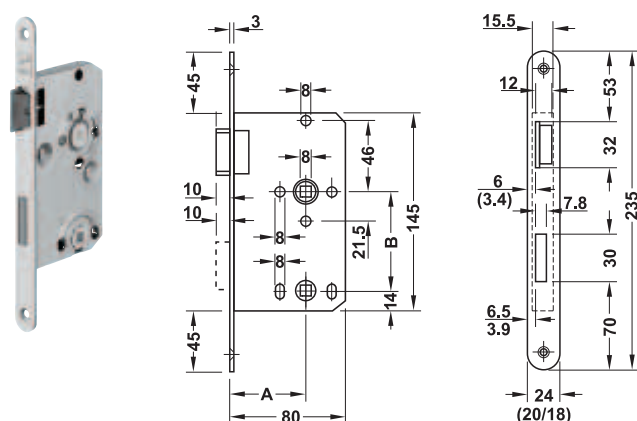
- > Area of application: For rebated wooden doors
- > Material: Forend: Stainless steel or steel, latchbolt, deadbolt and lever follower: Polyamide, lock case: Steel
- > Type of locking: Cipher bit
- > Deadbolt: 2-turn
- > Forend: Round
- > Lever follower: 8 mm
- > Distance B: 72 mm
- > Standard: In compliance with DIN 18251, part 1

Supplied with

- 1 mortice lock
- 1 key

Forend width mm	Mounting	Satin stainless steel	Steel, silver colour lacquered
Backset A 55 mm			
18	DIN left	911.01.111	911.01.107
	DIN right	911.01.112	911.01.108
20	DIN left	911.01.075	911.01.067
	DIN right	911.01.076	911.01.068

Mortice lock, WC/bathroom



Dim. in brackets apply to forend width 18/20 mm

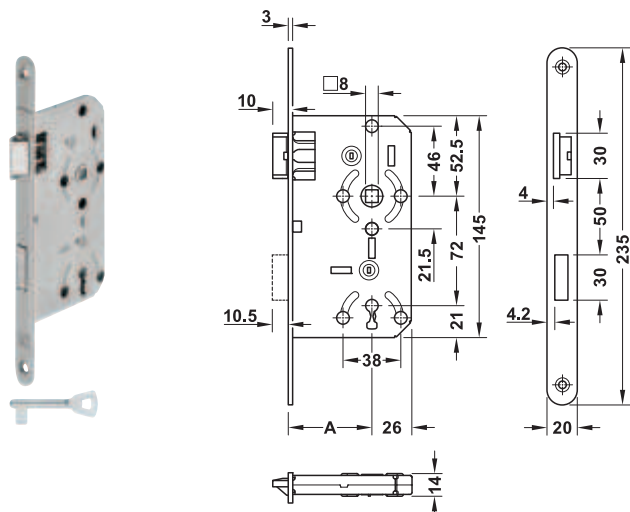
- > Area of application: For rebated (forend 18/20 mm) wooden doors
- > Material: Forend: Stainless steel or steel, latchbolt, deadbolt and lever follower: Polyamide, lock case: Steel
- > Type of locking: WC/bathroom
- > Deadbolt: 1-turn
- > Forend: Round
- > Lever follower: 8 mm
- > Deadbolt follower: 8 mm
- > Distance B: 78 mm
- > Standard: In compliance with DIN 18251, part 1

Forend width mm	Mounting	Satin stainless steel	Steel, silver colour lacquered
Backset A 55 mm			
18	DIN left	911.01.117	911.01.113
	DIN right	911.01.118	911.01.114
20	DIN left	911.01.095	911.01.087
	DIN right	911.01.096	911.01.088

Striking plates

► AH 2.38

Mortice lock, cipher bit

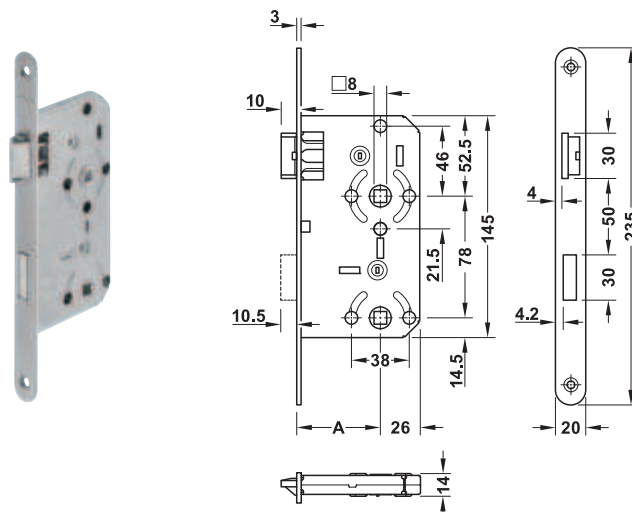


- > Area of application: For rebated wooden doors
- > Material: Lock case: Steel, forend: Stainless steel, brass or steel, latchbolt, deadbolt and lever follower: Zinc alloy
- > Type of locking: Cipher bit
- > Deadbolt: 1-turn
- > Forend: Round
- > Forend width: 20 mm
- > Lever follower: 8 mm
- > Distance B: 72 mm
- > Standard: In accordance with EN 12209 category of use 1

Supplied with
1 mortice lock
1 key

Mounting	Satin stainless steel	Polished brass	Steel black	Steel silver colour lacquered
Backset A 55 mm				
DIN left	911.02.906	911.02.898	911.02.894	911.02.890
DIN right	911.02.907	911.02.899	911.02.895	911.02.891

Mortice lock, Bathroom/WC

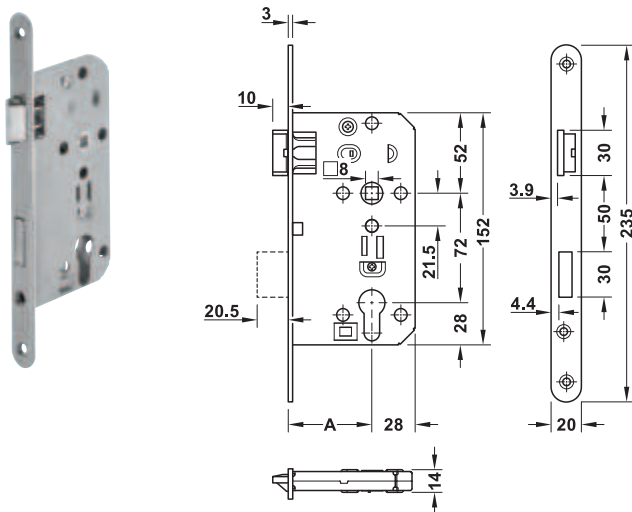


- > Area of application: For rebated wooden doors
- > Material: Lock case: Steel, forend: Stainless steel, brass or steel, latchbolt, deadbolt and lever follower: Zinc alloy
- > Type of locking: Bathroom/WC
- > Deadbolt: 1-turn
- > Forend: Round
- > Forend width: 20 mm
- > Lever follower: 8 mm
- > Deadbolt follower: 8 mm
- > Distance B: 78 mm
- > Standard: In accordance with EN 12209 category of use 1

Mounting	Satin stainless steel	Polished brass	Steel black	Steel silver colour lacquered
Backset A 55 mm				
DIN left	911.02.908	911.02.900	911.02.896	911.02.892
DIN right	911.02.909	911.02.901	911.02.897	911.02.893

DGH-B-INT 2019, HDE-en, 12/18; Dimensional data not binding. We reserve the right to alter specifications without notice.

Mortice lock, profile cylinders



- > Area of application: For rebated wooden doors
- > Material: Lock case: Steel, forend: Stainless steel, brass or steel, deadbolt: Steel, latchbolt and lever follower: Plastic
- > Type of locking: Prepared for profile cylinder
- > Deadbolt: 2-turn
- > Forend: Round
- > Forend width: 20 mm
- > Lever follower: 8 mm
- > Distance B: 72 mm
- > Standard: In accordance with EN 12209 category of use 1

Mounting	Satin, stainless steel	Polished brass	Steel black	Steel, silver colour lacquered
----------	------------------------	----------------	-------------	--------------------------------

Backset A 55 mm

DIN left	911.03.848	911.03.844	911.03.842	911.03.840
DIN right	911.03.849	911.03.845	911.03.843	911.03.841

DGH-B-INT 2019, HDE-en, 12/18; Dimensional data not binding. We reserve the right to alter specifications without notice.

DIALOCK.

THINKING AHEAD IN
ACCESS MANAGEMENT.



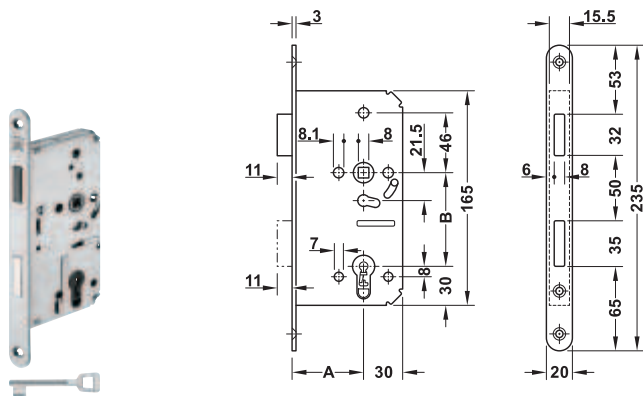
WELL THOUGHT OUT
FOR THE USER.

Dialock makes it easier to organise operating procedures.

The electronic access control and identification system adapts itself to your requirements.

Your personal and reliable access control management is achieved in conjunction with our comprehensive on-site service by easily scalable access points, any number of users and locking plans that are tailored to your requirements. Engineered by Häfele.

Magnetic mortice lock, cipher bit



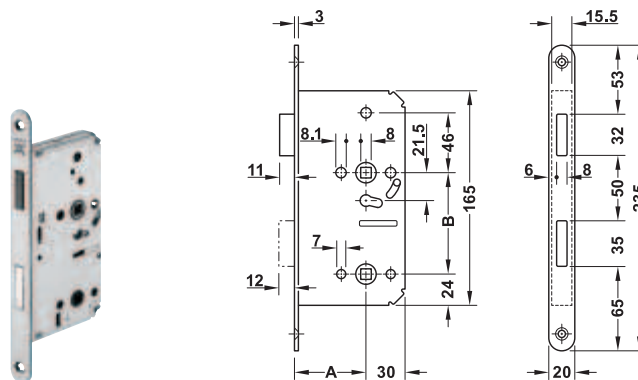
- > Area of application: For rebated or flush wooden or steel doors
- > Material: Forend: Stainless steel, latchbolt: Plastic with magnetic insert, deadbolt and lever follower: Zinc alloy, lock case: Steel
- > Type of locking: Cipher bit
- > Deadbolt: 2-turn
- > Version: Latchbolt is released via the magnet, with pre-mounted cipher bit keyway insert
- > Lever follower: 8 mm
- > Distance B: 72 mm
- > Mounting: For DIN left and DIN right hand use

Supplied with

1 mortice lock
1 key, nickel plated

Forend width mm	Finish	Round
Backset A 55 mm		
20	Satin	911.07.280
Backset A 65 mm		
20	Satin	911.07.286

Magnetic mortice lock, bathroom/WC



- > Area of application: For rebated or flush wooden or steel doors
- > Material: Forend: Stainless steel, latchbolt: Plastic with magnetic insert, deadbolt, lever follower and deadbolt follower: Zinc alloy, lock case: Steel
- > Type of locking: WC/bathroom
- > Deadbolt: 1-turn
- > Version: Latchbolt is released via the magnet
- > Lever follower: 8 mm
- > Distance B: 78 mm
- > Mounting: For DIN left and DIN right hand use

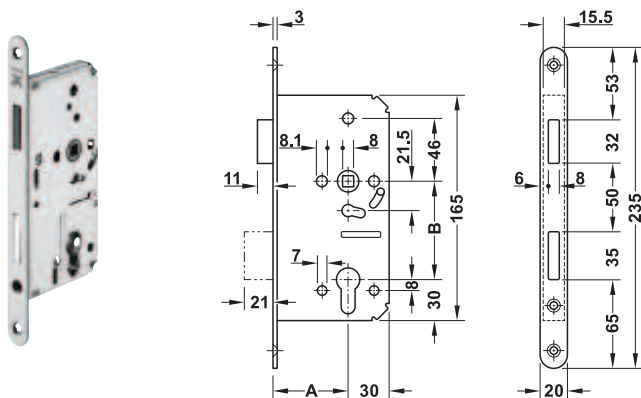
Forend width mm	Finish	Round
Backset A 55 mm		
20	Satin	911.07.281
Backset A 65 mm		
20	Satin	911.07.287

Flat striking plate with magnetic insert

► AH 2.18

DGH-B-INT 2019, HDE-en, 12/18; Dimensional data not binding. We reserve the right to alter specifications without notice.

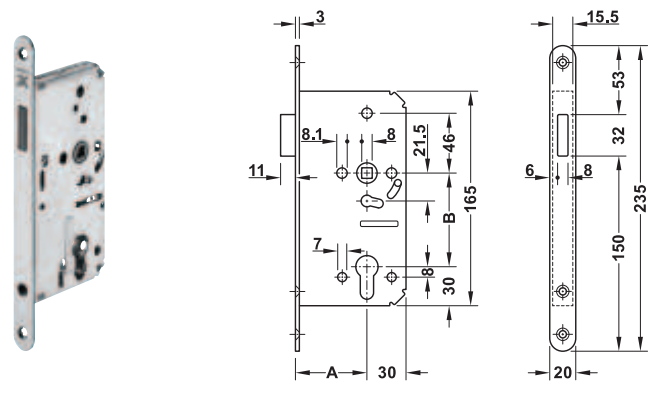
Magnetic mortice lock, profile cylinder



- > Area of application: For rebated or flush wooden or steel doors
- > Material: Forend: Stainless steel, latchbolt: Plastic with magnetic insert, deadbolt and lever follower: Zinc alloy, lock case: Steel
- > Type of locking: Prepared for profile cylinder
- > Deadbolt: 2-turn
- > Version: Latchbolt is activated via the magnet, with key action
- > Lever follower: 8 mm
- > Distance B: 72 mm
- > Mounting: DIN left and DIN right

Forend width mm	Finish	Round
Backset A 55 mm		
20	Matt	911.07.282
Backset A 65 mm		
20	Matt	911.07.288

Magnetic mortice latch lock, profile cylinder



- > Area of application: For rebated or flush wooden or steel doors
- > Material: Forend: Stainless steel, latchbolt: Plastic with magnetic insert, lever follower: Zinc alloy, lock case: Steel
- > Version: Latchbolt is activated via the magnet, with key action
- > Lever follower: 8 mm
- > Distance B: 72 mm
- > Mounting: DIN left and DIN right

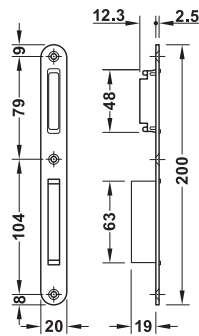
Note
Profile cylinder aperture without function

Forend width mm	Finish	Round
Backset A 55 mm		
20	Matt	911.23.790
Backset A 65 mm		
20	Matt	911.23.792

Flat striking plate with magnetic insert

► AH 2.18

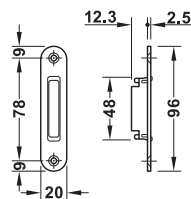
Startec Flat striking plate



- > Area of application: For wooden frames, for rebated or flush doors, for magnetic mortice locks
- > Version: With plastic lining and magnetic insert, round
- > Mounting: For DIN left and DIN right hand use

Material	Finish/colour	Cat. No.
Stainless steel	Satin, grey plastic lining	911.07.289

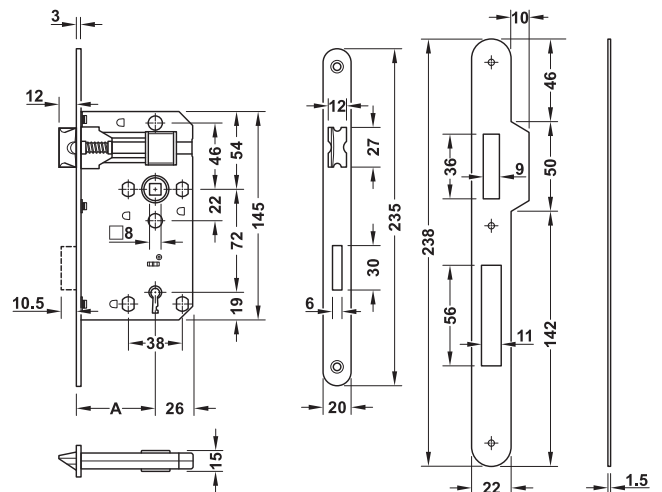
Startec Flat striking plate



- > Area of application: For wooden frames, for rebated or flush doors, for magnetic mortice latch locks
- > Version: With plastic lining and magnetic insert, round
- > Mounting: For DIN left and DIN right hand use

Material	Finish/colour	Cat. No.
Stainless steel	Satin, grey plastic lining	911.23.799

Mortice lock, cipher bit



- > Area of application: For rebated wooden doors
- > Material: Lock case, forend and striking plate: Steel
- > Type of locking: Cipher bit
- > Deadbolt: 1-turn
- > Lever follower: 8 mm
- > Distance B: 72 mm
- > Mounting: For DIN left and DIN right hand use

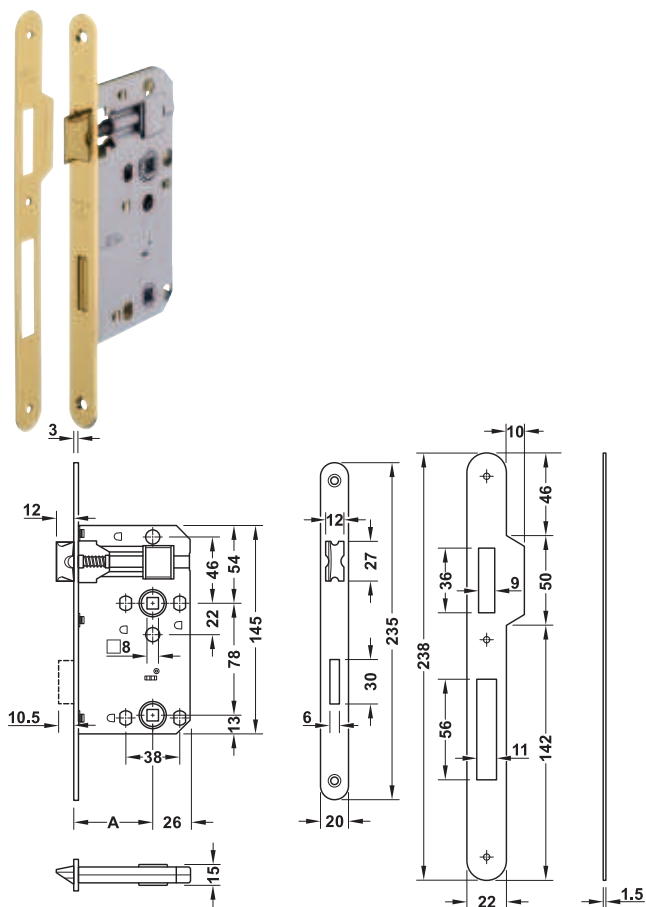
Supplied with

- 1 mortice lock
- 1 key
- 1 striking plate

Forend width mm	Finish	round
Backset A 55 mm		
20	Brass plated	911.02.374
	Nickel plated	911.02.375

DGH-B-INT 2019, HDE-en, 12/18; Dimensional data not binding. We reserve the right to alter specifications without notice.

Mortice lock, Bathroom/WC

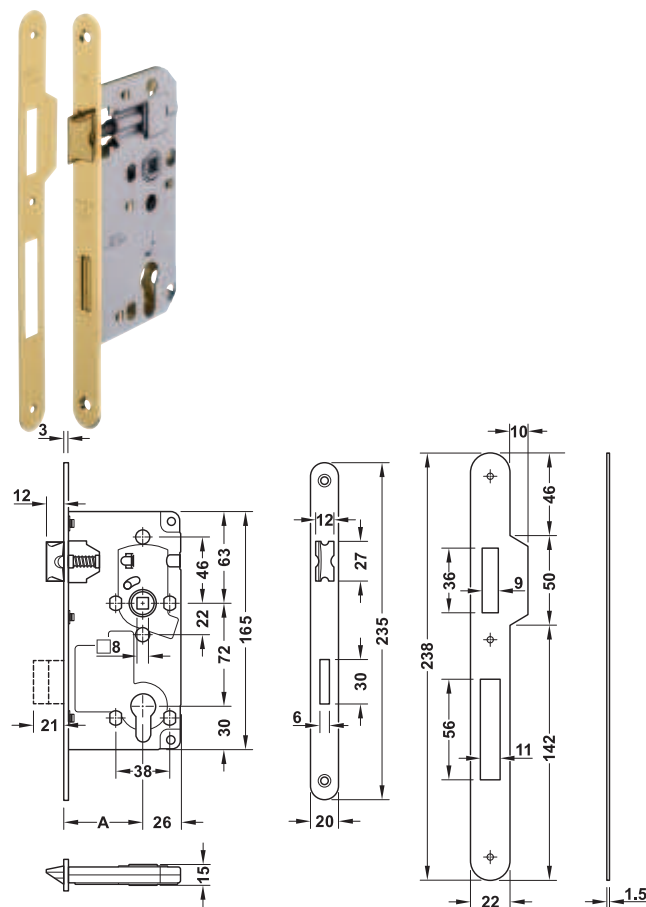


- > Area of application: For rebated wooden doors
- > Material: Lock case, forend and striking plate: Steel
- > Type of locking: Bathroom/WC
- > Deadbolt: 1-turn
- > Lever follower: 8 mm
- > Distance B: 78 mm
- > Mounting: For DIN left and DIN right hand use

Supplied with
1 mortice lock
1 striking plate

Forend width mm	Finish	Round
Backset A 55 mm		
20	Brass plated	911.02.376
	Nickel plated	911.02.377

Mortice lock, profile cylinder



- > Area of application: For rebated wooden doors
- > Material: Lock case, forend and striking plate: Steel
- > Type of locking: Prepared for profile cylinder
- > Deadbolt: 2-turn
- > Lever follower: 8 mm
- > Distance B: 72 mm
- > Mounting: For DIN left and DIN right hand use

Supplied with
1 mortice lock
1 striking plate

Forend width mm	Finish	Round
Backset A 55 mm		
20	Brass plated	911.02.389
	Nickel plated	911.02.390

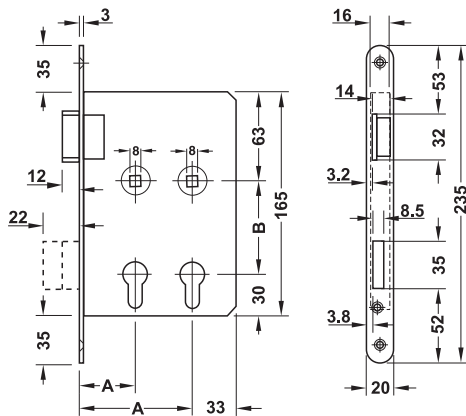
DGH-B-INT 2019, HDE-en, 12/18; Dimensional data not binding. We reserve the right to alter specifications without notice.

Mortice lock, profile cylinder

With two backsets



2



The lock is particularly suitable for doors that are supposed to close as tightly as possible. Direct connection with the door leaf is avoided. The two consecutive backsets allow the use of half fitting sets and single cylinders. Only drillings that do not penetrate the door panel and are not positioned on one axis are required on each side of the door.



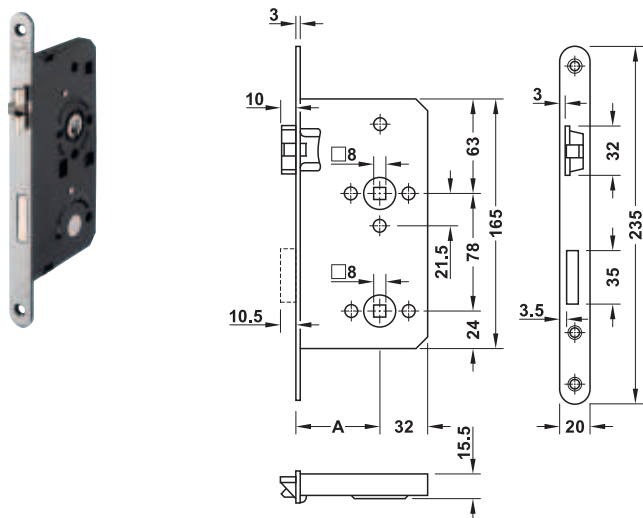
- > Area of application: For rebated (forend 20 mm) wooden doors, suitable for radiation protection doors, test rooms, directors' rooms, consulting rooms etc.
- > Material: Forend: Stainless steel, latchbolt, deadbolt and lock case: Steel, lever follower: Malleable cast
- > Type of locking: Prepared for profile cylinder
- > Deadbolt: 2-turn
- > Version: With two backsets
- > Forend: Round
- > Lever follower: 8 mm
- > Distance B: 72 mm

Forend width mm	Mounting	Satin stainless steel
Backset A 40/80 mm		
20	DIN left	911.14.003
	DIN right	911.14.004

Striking plates	▶ AH 2.41
Locking cylinder	▶ AH 2.102

Mortice lock, Bathroom/WC

With clawbolt latch

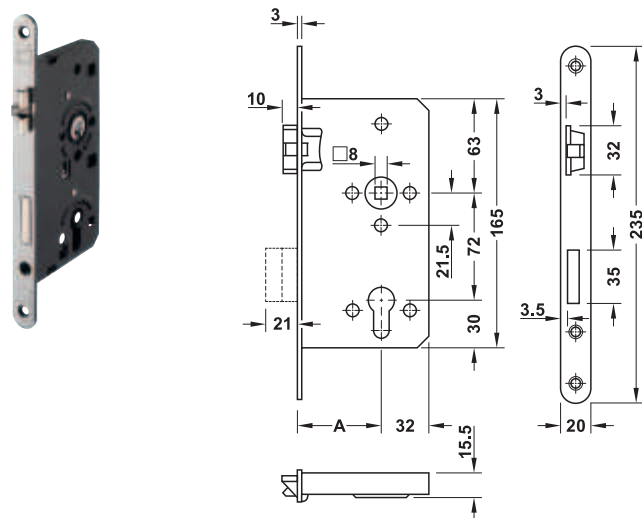


- > Area of application: For rebated wooden doors, in yachts, caravans, trains, etc.
- > Material: Stainless steel
- > Type of locking: Bathroom/WC
- > Deadbolt: 1-turn
- > Lever follower: 8 mm
- > Distance B: 78 mm
- > Standard: Certified in compliance with DIN 18251

Forend width mm	Mounting	Round
Backset A 55 mm		
20	DIN left	911.03.556
	DIN right	911.03.557

Mortice lock, profile cylinder

With clawbolt latch



- > Area of application: For rebated wooden doors, in caravans, trains, etc.
- > Material: Steel
- > Type of locking: Prepared for profile cylinder
- > Deadbolt: 2-turn
- > Lever follower: 8 mm
- > Distance B: 72 mm
- > Standard: Certified in compliance with DIN 18251

Forend width mm	Mounting	Round
Backset A 55 mm		
20	DIN left	911.03.554
	DIN right	911.03.555

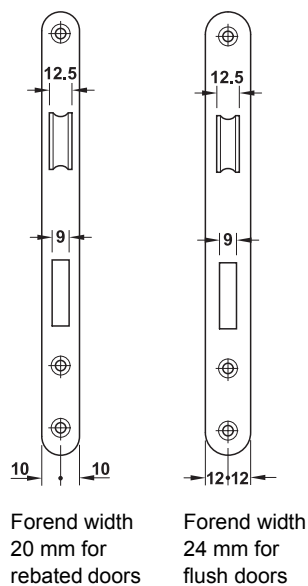
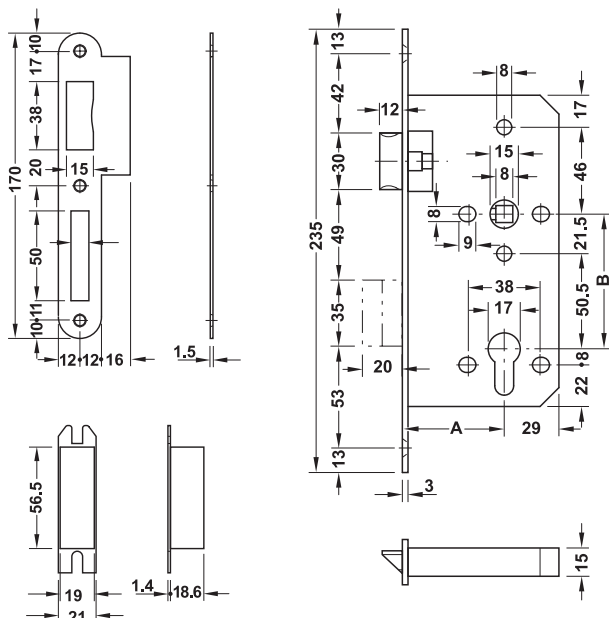
2

DGH-B-INT 2019, HDE-en, 12/18; Dimensional data not binding. We reserve the right to alter specifications without notice.

Mortice lock, profile cylinder



F



Forend width
20 mm for
rebated doors

Forend width
24 mm for
flush doors

- > Area of application: For rebated or flush doors
- > Material: Forend, latchbolt and deadbolt: Stainless steel, lock case: Steel, deadbolt pocket: Plastic
- > Type of locking: Prepared for profile cylinder
- > Deadbolt: 2-turn
- > Version: With key action
- > Forend: Round or square
- > Lever follower: 8 mm
- > Distance B: 72 mm
- > Mounting: DIN left and DIN right, reversible
- > Standard: Certified in compliance with EN 12209:2003
- > Class:

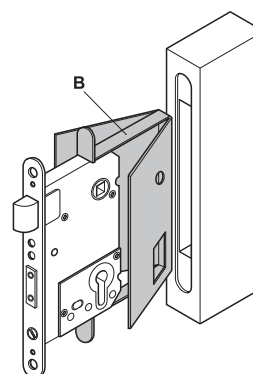
3	S	8	1	0	F	2	B	C	2	0
---	---	---	---	---	---	---	---	---	---	---

Supplied with

- 1 mortice lock
- 1 flanged striking plate
- 2 deadbolt pockets

Forend width mm	Finish	Square	Round
Backset A 55 mm			
20	Matt brushed	911.02.143	911.02.151
	Brass coloured PVD coated	911.25.444	911.25.452
	Graphite black PVD coated	911.25.420	911.25.421
24	Matt brushed	911.02.145	911.02.153
	Brass coloured PVD coated	911.25.446	911.25.454
	Graphite black PVD coated	911.25.422	911.25.200
Backset A 60 mm			
24	Matt brushed	911.02.464	911.02.468
Backset A 65 mm			
24	Matt brushed	911.02.480	911.02.484

→ Intumescent fire protection kit for mortice locks



B = intumescent fire protection kit for mortice locks

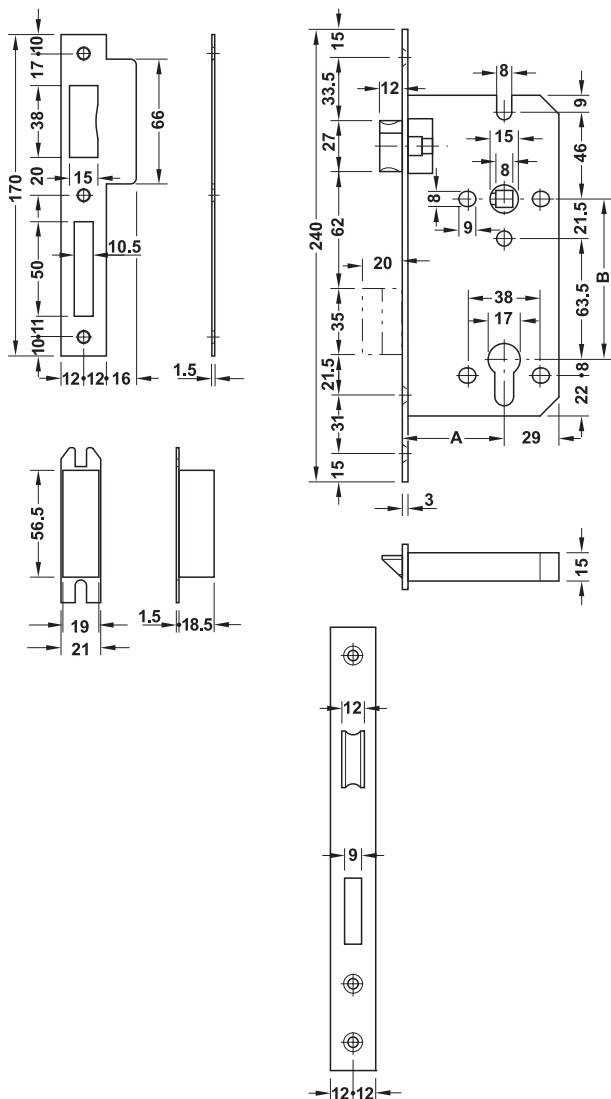
Dim. (L x W) mm	Material thickness mm	Cat. No.
165 x 90	1	950.11.010
	2	950.11.011

Packing: 1 set

DGH-B-INT 2019; HDE-en, 12/18; Dimensional data not binding. We reserve the right to alter specifications without notice.

Mortice lock, profile cylinder

F



Forend width 24 mm
for flush doors

- > Area of application: For flush doors
- > Material: Forend, latchbolt and deadbolt: Stainless steel, lock case: Steel, deadbolt pocket: Plastic
- > Type of locking: Prepared for profile cylinder
- > Deadbolt: 2-turn
- > Lever follower: 8 mm
- > Distance B: 85 mm
- > Mounting: DIN left and DIN right, reversible
- > Standard: Certified in compliance with EN 12209:2003
- > Class:

3	S	8	1	0	F	2	B	C	2	0
---	---	---	---	---	---	---	---	---	---	---

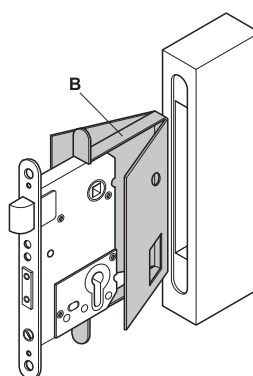
Supplied with

- 1 mortice lock
- 1 flanged striking plate
- 2 deadbolt pockets

Forend width mm	Finish	Square
Backset A 45 mm		
24	Matt	911.02.165
Backset A 60 mm		
24	Matt	911.02.161

Locking cylinder ▶ AH 2.102

→ Intumescent fire protection kit for mortice locks



B = intumescent fire protection kit for mortice locks

Dim. (L x W) mm	Material thickness mm	Cat. No.
165 x 90	1	950.11.010
	2	950.11.011

Packing: 1 set

DGH-B-INT 2019, HDE-en, 12/18; Dimensional data not binding. We reserve the right to alter specifications without notice.



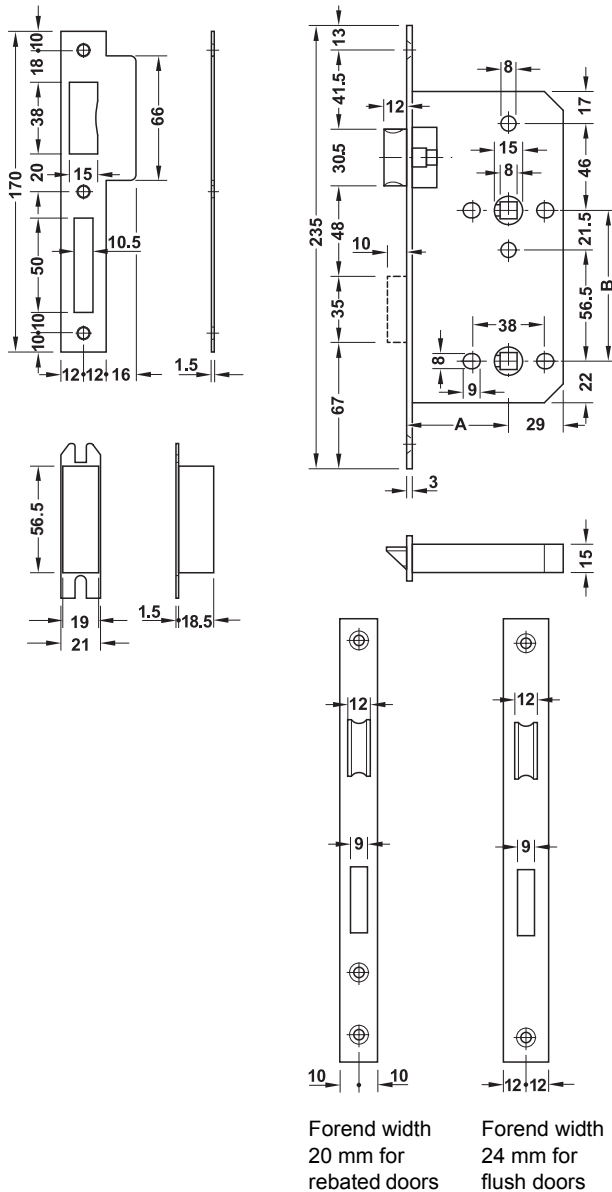
2

Mortice lock, bathroom/WC



2

F



- > Area of application: For rebated or flush doors
- > Material: Forend, latchbolt and deadbolt: Stainless steel, lock case: Steel, deadbolt pocket: Plastic
- > Deadbolt: 1-turn
- > Forend: Round or square
- > Lever follower: 8 mm
- > Deadbolt follower: 8 mm
- > Distance B: 78 mm
- > Mounting: DIN left and DIN right, reversible
- > Standard: Certified in compliance with EN 12209:2003
- > Class:

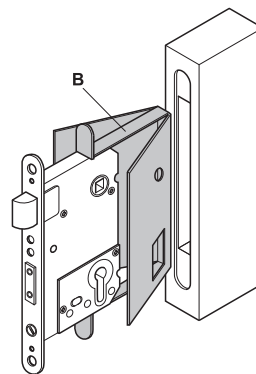
3	S	8	1	0	F	-	B	G	2	0
---	---	---	---	---	---	---	---	---	---	---

Supplied with

- 1 mortice lock
- 1 flanged striking plate
- 2 deadbolt pockets

Forend width mm	Finish	Square	Round
Backset A 55 mm			
20	Matt brushed	911.02.147	911.02.155
	Brass coloured PVD coated	911.25.448	911.25.456
	Graphite black PVD coated	911.25.430	911.25.431
24	Matt brushed	911.02.149	911.02.157
	Brass coloured PVD coated	911.25.450	911.25.458
	Graphite black PVD coated	911.25.432	911.25.204

→ Intumescent fire protection kit for mortice locks



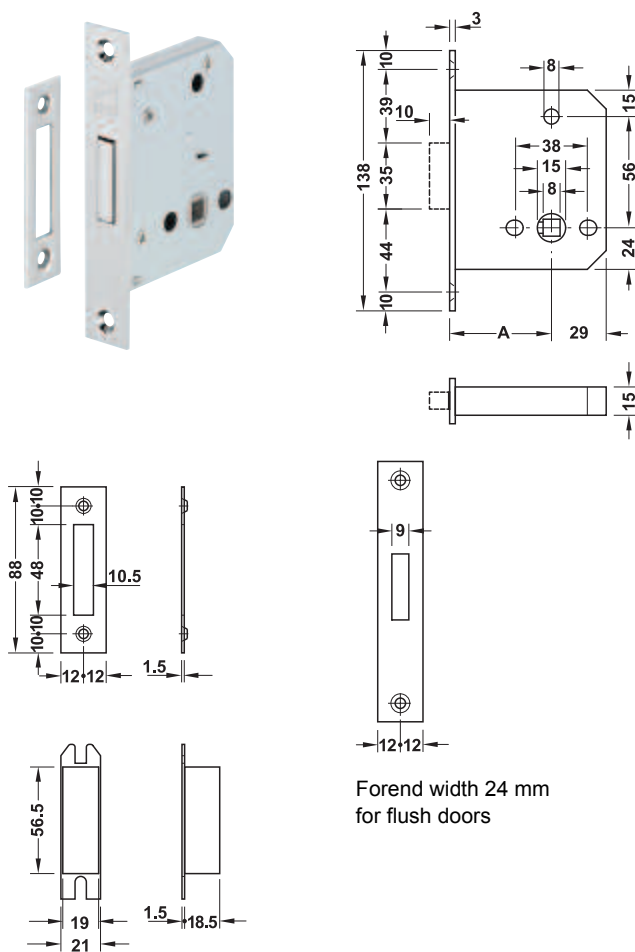
B = intumescent fire protection kit for mortice locks

Dim. (L x W) mm	Material thickness mm	Cat. No.
165 x 90	1	950.11.010
	2	950.11.011

Packing: 1 set

DGH-B-INT 2019, HDE-en, 12/18; Dimensional data not binding. We reserve the right to alter specifications without notice.

Mortice deadlock, bathroom/WC

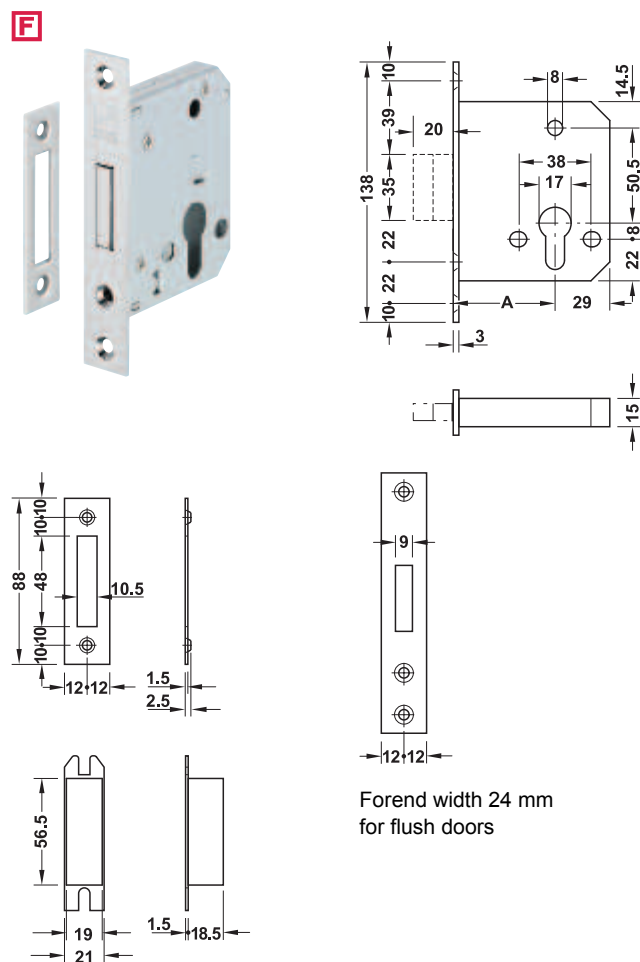


- > Area of application: For flush doors
- > Material: Forend and deadbolt: Stainless steel, lock case: Steel, deadbolt pocket: Plastic
- > Deadbolt: 1-turn
- > Deadbolt follower: 8 mm
- > Mounting: DIN left and DIN right, reversible

Supplied with
1 mortice deadlock
1 flanged striking plate
1 deadbolt pocket

Forend width mm	Finish	Square
Backset A 55 mm		
24	Matt	911.22.511

Mortice deadlock, profile cylinder



- > Area of application: For flush doors
- > Material: Forend and deadbolt: Stainless steel, lock case: Steel, deadbolt pocket: Plastic
- > Type of locking: Prepared for profile cylinder
- > Deadbolt: 2-turn
- > Forend: Square
- > Standard: Certified in compliance with EN 12209:2003
- > Class:

3	x	8	1	0	G	3	B	0	0	0
---	---	---	---	---	---	---	---	---	---	---

Supplied with
1 mortice deadlock
1 flanged striking plate
1 deadbolt pocket

Forend width mm	Finish	Square
Backset A 55 mm		
24	Matt	911.22.490

Locking cylinder

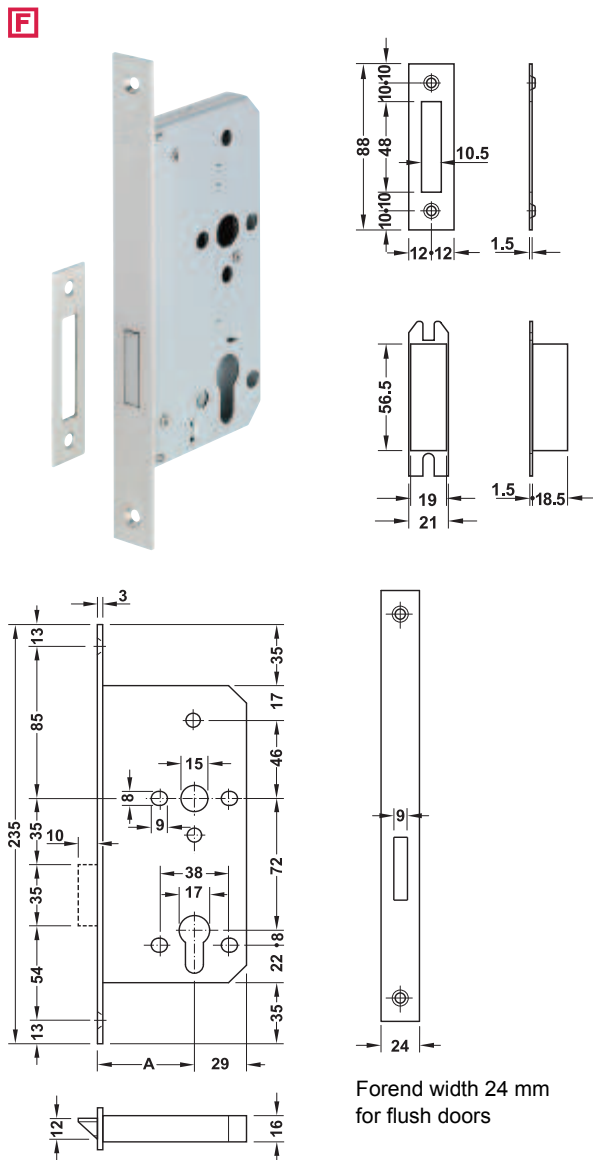
▶ AH 2.102

DGH-B-INT 2019, HDE-en, 12/18; Dimensional data not binding. We reserve the right to alter specifications without notice.



2

Mortice deadlock, profile cylinder



- > Area of application: For flush doors
- > Material: Forend and deadbolt: Stainless steel, lock case: Steel, deadbolt pocket: Plastic
- > Type of locking: Prepared for profile cylinder
- > Deadbolt: 2-turn
- > Forend: Square
- > Standard: Certified in compliance with EN 12209:2003
- > Class:

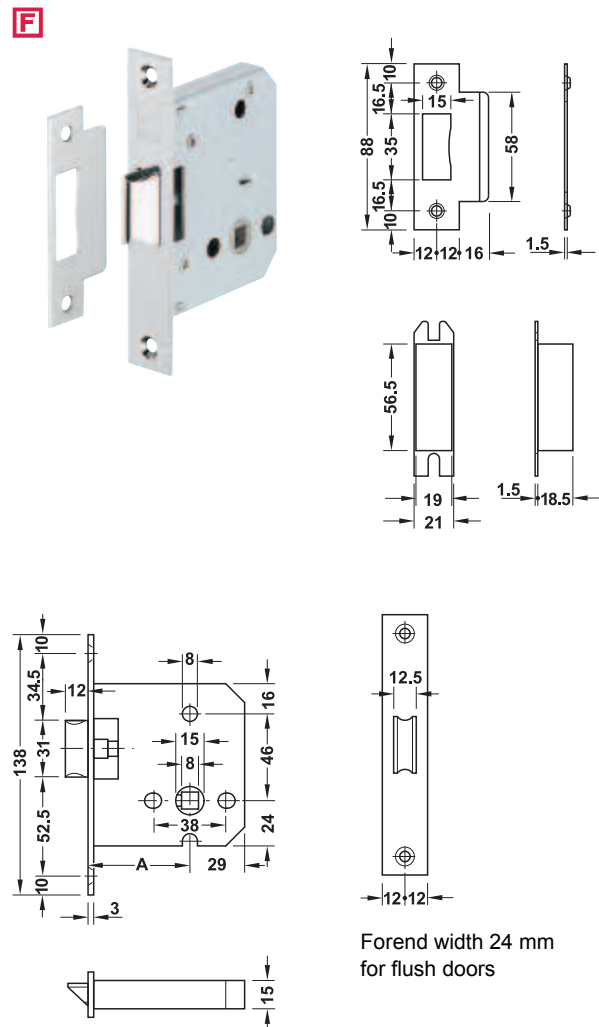
3	x	8	1	0	G	3	B	0	0	0
---	---	---	---	---	---	---	---	---	---	---

Supplied with
1 mortice deadlock
1 flanged striking plate
1 deadbolt pocket

Forend width mm	Finish	Square
Backset A 55 mm		
24	Matt	911.22.550

Locking cylinder ▶ AH 2.102

Mortice latch lock



- > Area of application: For flush doors
- > Material: Forend and latchbolt: Stainless steel, lock case: Steel, deadbolt pocket: Plastic
- > Forend: Square
- > Lever follower: 8 mm
- > Standard: Certified in compliance with EN 12209:2003
- > Class:

3	x	8	1	0	G	-	B	0	2	0
---	---	---	---	---	---	---	---	---	---	---

Supplied with
1 mortice latch lock
1 flanged striking plate
1 deadbolt pocket

Forend width mm	Finish	Square
Backset A 55 mm		
24	Matt	911.23.370

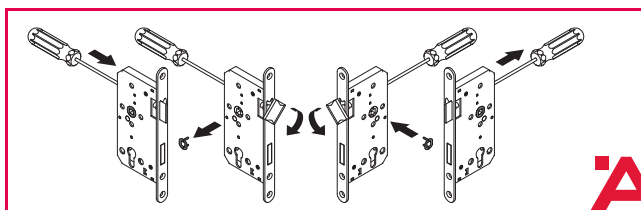
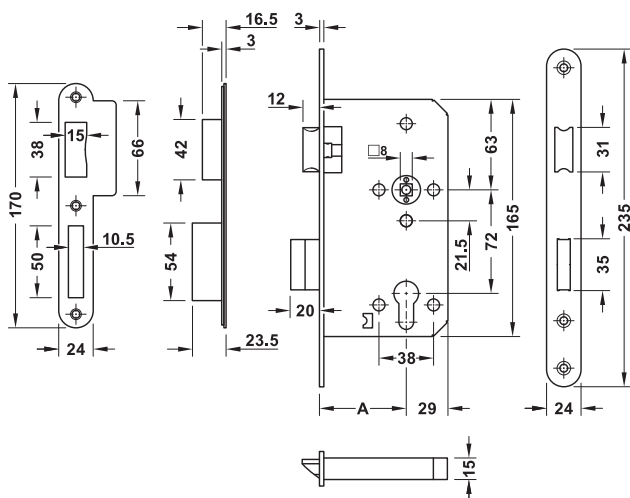
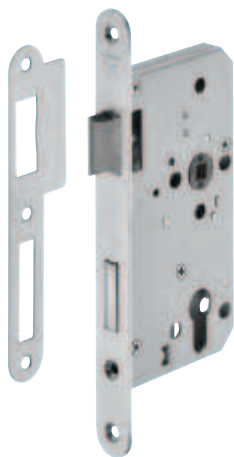
Forend width 24 mm for flush doors

DGH-B-INT 2019, HDE-en, 12/18; Dimensional data not binding. We reserve the right to alter specifications without notice.



Mortice lock, profile cylinder

With comfort function



- > Area of application: For flush wooden doors
- > Material: Forend, latchbolt and deadbolt: Stainless steel, lock case: Steel, deadbolt pocket: Plastic
- > Type of locking: Prepared for profile cylinder
- > Deadbolt: 2-turn
- > Version: With key action
- > Lever follower: 8 mm
- > Distance B: 72 mm
- > Mounting: For DIN left and DIN right hand use

Description of function

Inside

The door can be opened by activating the lever handle (escape door function) and locked with the key.

Outside

The door can be opened and locked with the key and by activating the lever handle. The door must be locked with the key for safety reasons.

Supplied with

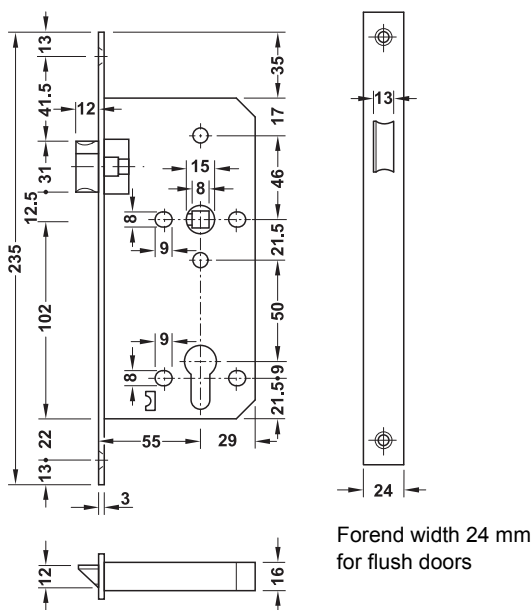
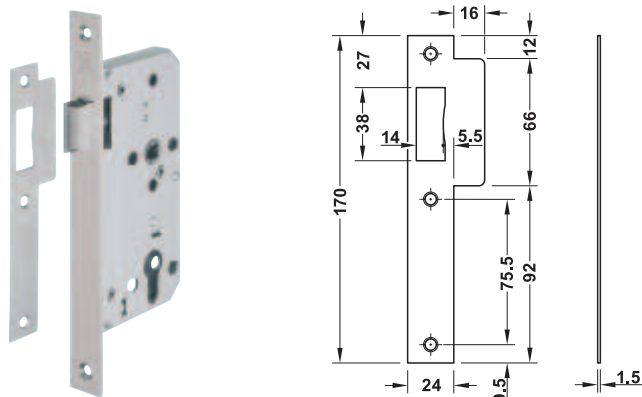
- 1 mortice lock
- 1 flanged striking plate
- 1 deadbolt pocket
- Fixing material

Forend width mm	Finish	Round
24	Matt	911.51.400

Mortice latch lock



2

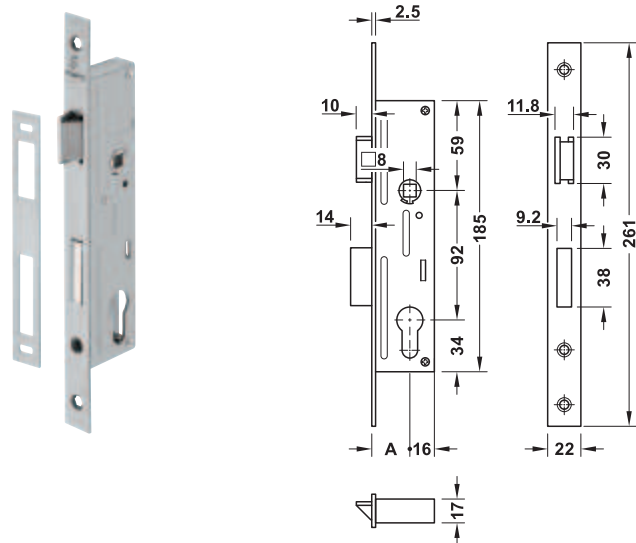


- > Area of application: For flush doors
- > Material: Forend and latchbolt: Stainless steel, lock case: Steel, deadbolt pocket: Plastic
- > Lever follower: 8 mm
- > Mounting: DIN left and DIN right, reversible

Supplied with
1 mortice latch lock
1 striking plate

Forend width mm	Finish	Square
Backset A 55 mm		
24	Matt	911.23.465

Mortice lock, profile cylinder



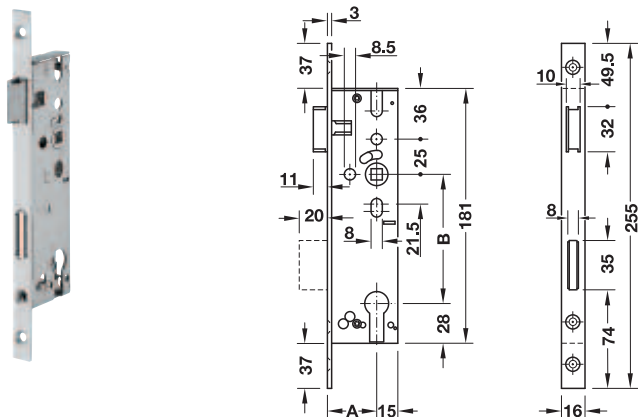
Can be converted from right hand to left hand via marked point. Push in slightly, pull out latchbolt and turn.

- > Area of application: For narrow frame doors
- > Material: Deadbolt, latchbolt and lever follower: Zinc alloy, forend: Steel
- > Finish: Latchbolt and deadbolt: Nickel plated
- > Type of locking: Prepared for profile cylinder
- > Deadbolt: 1-turn
- > Version: With key action
- > Lever follower: 8 mm
- > Distance B: 92 mm
- > Mounting: For DIN left and DIN right hand use
- > Standard: In accordance with EN 12209 category of use 2

Forend width mm	Backset A mm	Square
22	25	911.77.421
	30	911.77.422
	35	911.77.423
	40	911.77.424

DGH-B-INT 2019, HDE-en, 12/18; Dimensional data not binding. We reserve the right to alter specifications without notice.

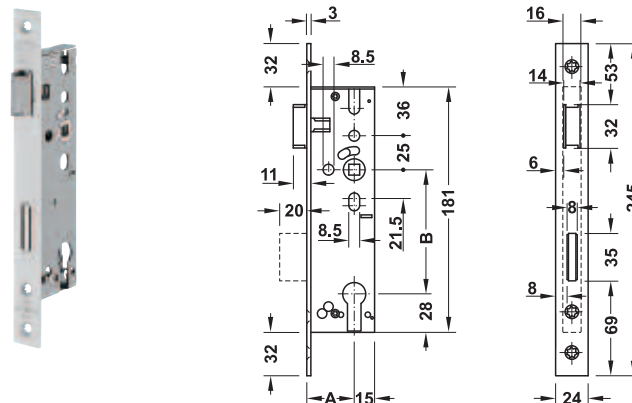
Narrow frame mortice lock, model 1300



- > Area of application: For narrow frame doors, for interior doors
- > Material: Forend: Stainless steel or steel, latchbolt, deadbolt and lever follower: Zinc alloy, lock case: Steel
- > Type of locking: Prepared for profile cylinder
- > Deadbolt: 1-turn
- > Version: With key action
- > Forend: Square
- > Lever follower: 8 mm
- > Distance B: 92 mm

Forend width mm	Mounting	Satin stainless steel	Steel, silver colour lacquered
Backset A 25 mm			
16	DIN left and DIN right	911.77.200	911.77.205
Backset A 30 mm			
16	DIN left and DIN right	911.77.201	911.77.206
Backset A 35 mm			
16	DIN left and DIN right	911.77.202	911.77.207
Backset A 40 mm			
16	DIN left and DIN right	911.77.203	911.77.208
Backset A 45 mm			
16	DIN left and DIN right	911.77.204	911.77.209

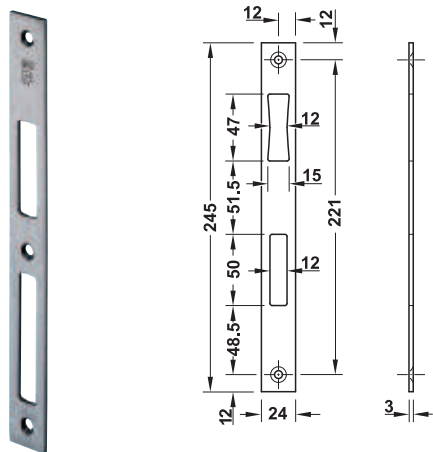
Narrow frame mortice lock, model 1314



- > Area of application: For narrow frame doors, for interior and external doors
- > Material: Forend: Stainless steel or steel, latchbolt and lever follower: Zinc alloy, deadbolt: Zinc alloy with sawing protection, lock case: Steel
- > Type of locking: Prepared for profile cylinder
- > Deadbolt: 1-turn
- > Version: With key action
- > Forend: Square
- > Lever follower: 8 mm
- > Distance B: 92 mm

Forend width mm	Mounting	Satin stainless steel	Steel, silver colour lacquered
Backset A 25 mm			
24	DIN left and DIN right	911.75.980	911.75.928
Backset A 30 mm			
24	DIN left and DIN right	911.75.981	911.75.929
Backset A 35 mm			
24	DIN left and DIN right	911.75.982	911.75.967
Backset A 40 mm			
24	DIN left and DIN right	911.75.983	911.75.968
Backset A 45 mm			
24	DIN left and DIN right	911.75.984	911.75.969

Accessories for narrow frame mortice lock → Flat striking plate



- > Area of application: For rebated narrow frame doors
- > For forend: 24 mm
- > Mounting: For DIN left and DIN right hand use

Material	Finish	Cat. No.
Stainless steel	Satin	911.39.371