

Sliding hardware system for full room-height partition walls and walk-in closets

HAWA-Ordena 70



The frameless sliding hardware system that opens the door to your design ideas

HAWA-Ordena 70

Technical specifications

Max. door weight	70 kg (154 lbs.)
Min. door width	600 mm (1'11 ⁵ / ₈ "
Max. door height	2600 mm (8'6 ³ / ₈ "
Glass thickness	
ESG	8/10 mm (5 ¹ / ₁₆ "/13 ¹ / ₃₂ "
VSG	8,7–10,7 mm (11 ¹ / ₃₂ "/7 ¹ / ₁₆ "
Wooden door	
thickness	30–40 mm (1 ³ / ₁₆ "/1 ¹⁹ / ₃₂ "

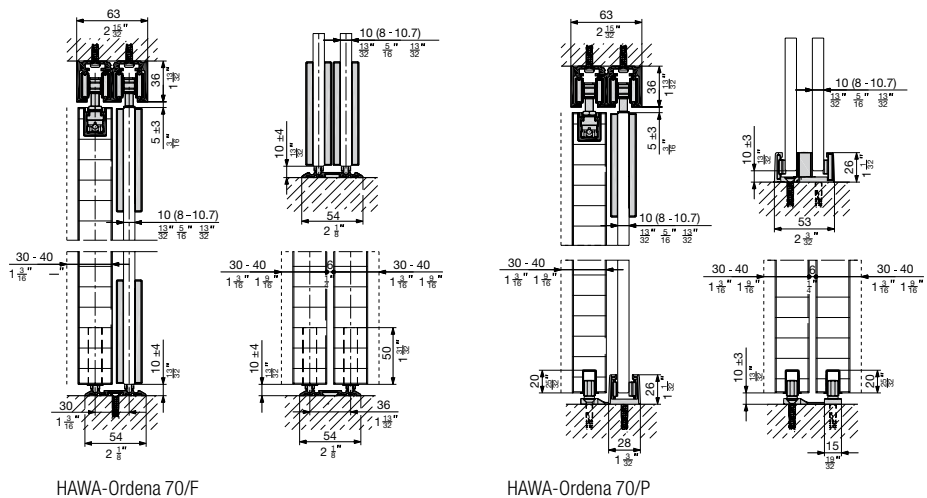
At a glance

- Attractive, frameless and space-independent design for partition walls and walk-in cabinets
- Glass (toughened and laminated safety glass) and wood combinations are always possible.
- Cover caps available in rounded and square designs and in various surface finishes.
- Trouble-free retrofit installation.

It is a fact that walk-in closets are becoming increasingly popular among customers. They offer an attractive, space-saving solution for variable room utilisation with unrestricted access to the inside. It is therefore hardly surprising that ever more cabinetmakers and interior designers are choosing the HAWA-Ordena 70: this high-quality system accommodates the trend towards sliding doors without complicated frames, moves sliding glass doors as quietly as it does elements made of wood and is therefore first choice when it comes to flexible room design with full room-height partitions.

About the product

The top-running hardware has an ascending design to protect it against soiling and offers you two clear advantages: the HAWA-Ordena 70/F has a discrete, continuous guide channel to provide stability. And the HAWA-Ordena 70/P utilises a point-fixing, rattle proof floor-mounted guide and does not require a channel. The qualities of both variants are equally convincing in all other aspects. Their discrete cover caps spare the eye from distracting technology, they are easily retrofitted into any environment and are designed to combine glass and wood elements. The HAWA-Ordena 70 is itself an element of design as its uninterrupted scope of travel leaves sliding doors room to move across the entire width.



HAWA-Ordena 70/F

HAWA-Ordena 70/P

Further information:

Hawa AG
 CH- 8932 Mettmenstetten
 Switzerland
 Tel. +41 44 767 91 91
 Fax +41 44 767 91 78
 www.hawa.ch



Available from specialist dealers