

Hardware system for stackable all-glass sliding walls with flexible track routing

HAWA-Variotec 150



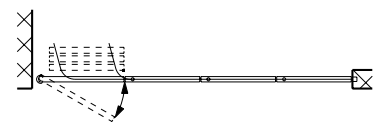
The elegant way for all-glass sliding walls to show off their curves

HAWA-Variotec 150/GV

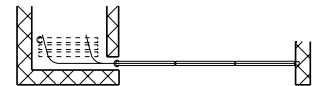
No matter how your room situation may look: you won't have to cut any corners with HAWA-Variotec 150/GV to find the ideal position for your all-glass sliding wall. This is because its modular track system allows you to simply plug curved and straight plain anodised top tracks together. This hardware will follow even your most elaborate ideas thanks to flexible curvature radii (they are even available made-to-measure on request). And you can integrate sliding pivot doors or sliding swing doors wherever you like. This flexibility makes the HAWA-Variotec 150/GV predestined for a host of interior applications, for instance in shopping malls, hotels, railway stations, airports, banks, unheated conservatories or in industrial and administration buildings.

About the product

Much has been said about the HAWA-Variotec 150/GV over the past 20 years. But not in conjunction with sliding: the high-quality trolley is the epitome of quiet as it carries out its valuable work, the more so as different purpose-built rollers are used for doors weighing up to 70, 100 and 150 kg (154, 220 and 330 lbs.). The hardware system's visual appearance is just as discreet. This is because all of its components are invisibly integrated in the filigree glass suspension and retainer profile that can be used with toughened safety glass and laminated safety glass in various thicknesses. It is as convenient to install as it is to use thanks to sophisticated glazing technology.



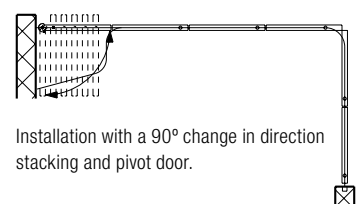
Straight installation with parallel stacking and pivot door.



Straight installation with parallel stacking and locking door.



Curved installation with fanned stacking and locking door.



Installation with a 90° change in direction stacking and pivot door.



At a glance

- Smooth, quiet running and perfect curve technology thanks to a modular, faced track system that permits directional changes from 15° to 90°.
- Top tracks and bottom guide channels can be bent to specification for special floor plans.
- Quality trolley with two-point guide wheels and purpose-built rollers for door weights up to 70, 100 and 150 kg (154, 220 and 330 lbs.).
- Elegant top-fixed suspension and glass retainer profile with invisibly integrated components.
- Draught-proof rubber and brush seal, secure locking and a discreet glass protection profile.
- Significant space gain thanks to low space requirements in the stacking area.
- Suitable for toughened safety glass (ESG) and laminated safety glass (VSG).
- Installations without bottom guide channels are also possible.
- LGA-certified top quality.

Technical specifications

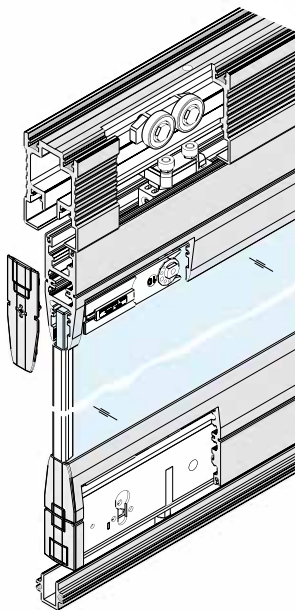
Max. door weight 150 kg (330 lbs.)

Max. door height
3500 mm (11'5¹³/₁₆")

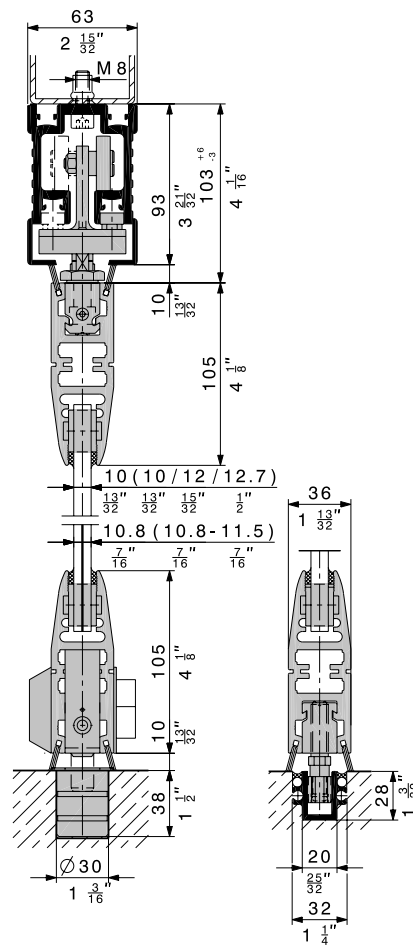
Glass thickness
ESG 10/12/12.7 mm (¹³/₃₂"/¹⁵/₃₂"/¹/₂")
VSG from ESG
10.8–11.5 mm (⁷/₁₆"–¹⁵/₃₂")

Vertically adjustable
+6/–3 mm (+¹/₄"/–¹/₈")

Minimum axis radius
4000 mm (13'1¹/₂")



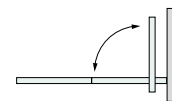
Beautifully simple: precise glass fixing with the glass retention eccentric. And simply beautiful: all components such as locks, suspension carriages and guide carriages are invisibly integrated in the suspension and glass retainer profile.



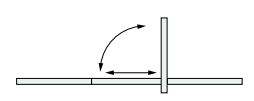
Door types



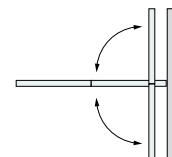
Sliding door



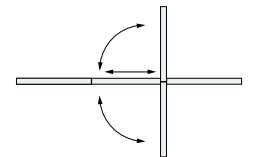
Pivot door



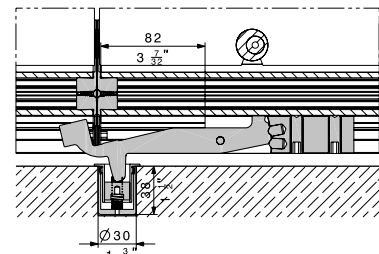
Sliding pivot door



Swing door



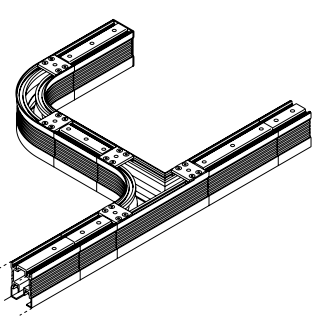
Sliding swing door



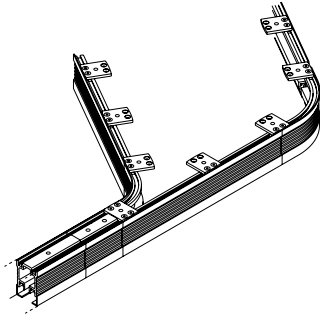
Foot-operated lock

Perfect curve technology

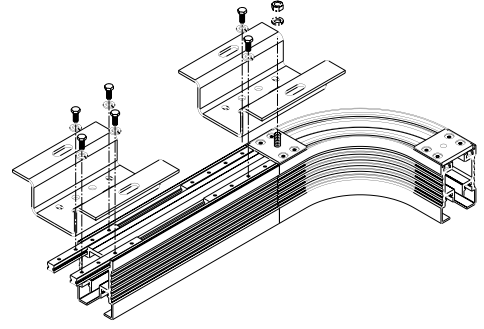
Efficient planning, flexible construction, space-saving stacking: the straight top tracks with a concealed interior and the curved sections of 15, 30, 45, 60, 75 and 90 degrees with or without a concealed interior (and even with customised radii on request) simply plug together to create customised combinations.



Parking area with concealed interior.



Parking area without concealed interior.



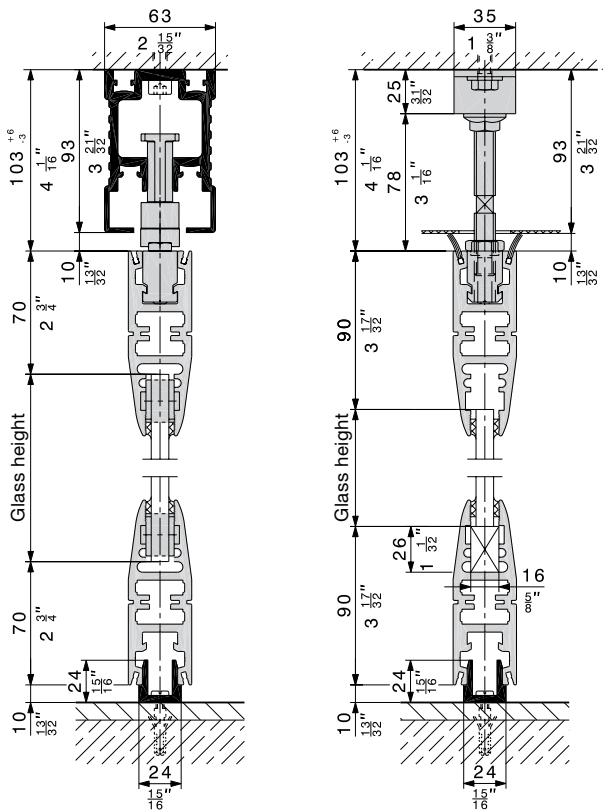
Connecting bracket for ceiling structure.

HAWA-Fixed Glass for fixed glazing

Standardised comprehensive solution: the additional hardware system HAWA-Fixed Glass harmoniously combines fixed and sliding glass elements.



Well-rounded aesthetic appeal: HAWA-Variotec 150/GV.



For stable glass sliding walls with a frame profile

HAWA-Variotec 150/GR

Does your all-glass sliding wall need to be particularly safe and stable? In that case Hawa has the perfect answer: the HAWA-Variotec 150/GR. This extension hardware combines the various qualities of the HAWA-Variotec 150/GV with an aesthetically appealing frame profile that makes a weighty contribution towards the robustness of your installation despite an elevation width of just 24 mm ($\frac{15}{16}$ "). It counteracts pane bending as effectively as it does attempts to push open doors, especially high doors. You are also well-protected from draughts – thanks to a brush and rubber seal that sets this hardware apart when it comes to partitioning climate-controlled rooms or winter gardens. And you can have all this without having to compromise on either sliding convenience or the unique HAWA-Variotec curve technology.

Technical specifications

Max. door weight 150 kg (330 lbs.)

Max. door height

3500 mm (11'5 $\frac{13}{16}$ ")

Glass thickness

ESG 10/12/12.7 mm ($\frac{13}{32}$ "/ $\frac{15}{32}$ "/ $\frac{1}{2}$ ")

VSG from ESG up to 13 mm ($\frac{17}{32}$ ")

Vertically adjustable

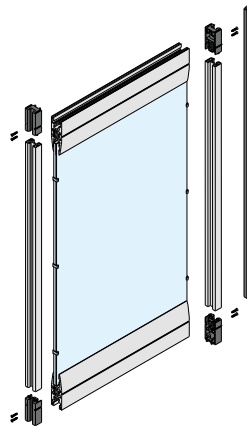
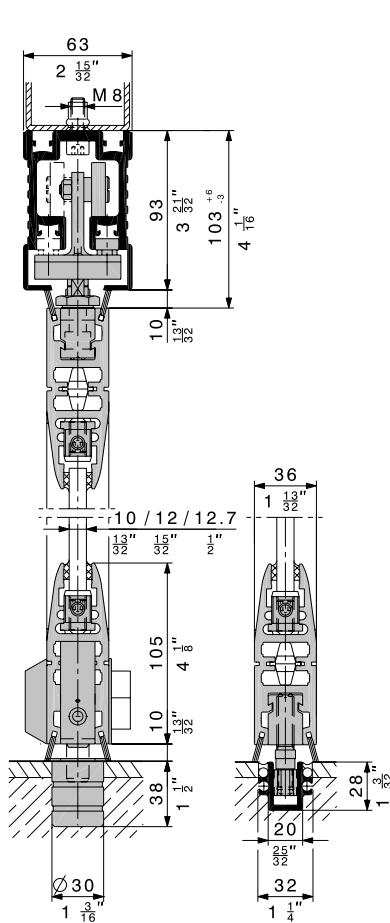
+6/-3 mm (+ $\frac{1}{4}$ "/- $\frac{1}{8}$ ")

Minimum axis radius

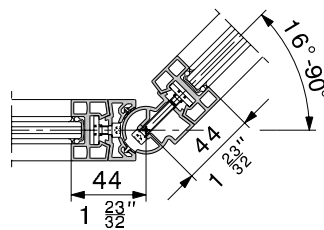
4000 mm (13'1 $\frac{1}{2}$ ")

At a glance

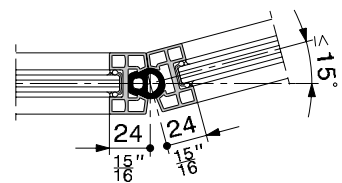
- Filigree frame system with an elevation width of just 24 mm ($\frac{15}{16}$ ") for doors up to 3.5 metres (11'5 $\frac{13}{16}$ ") in height and 150 kg (330 lbs) in weight.
- Increased stability, improved safety and protected glass edges.
- No cut-outs in the glass.
- Integrated brush and rubber seal protects against draughts.
- Perfect running properties and outstanding curve technology.



Robust design with a filigree appearance: the HAWA-Variotec frame profile.



Directional changes from 15° to 90°: not a problem thanks to a pluggable track system.



Available through certified partners

Further information:

Hawa AG
CH-8932 Mettmenstetten
Switzerland
Tel. +41 44 767 91 91
Fax +41 44 767 91 78
www.hawa.ch

