

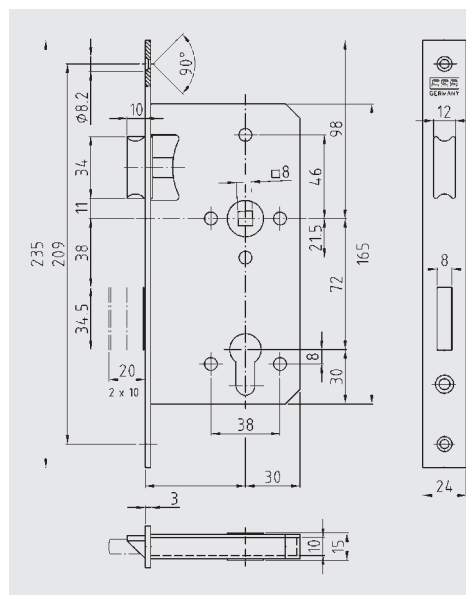
CES mortise locks

Series 77

- medium version, for plain/flush doors
- lockcase closed, galvanized and lacquered
- with striking plate
- according to German Standard DIN 18251
- reversible

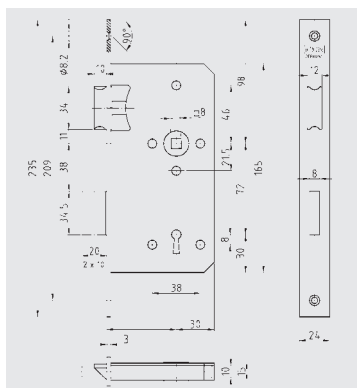
available backsets:	45, 55, 60, 65, 70, 80 mm
distance:	72 mm
follower:	8 mm
forend:	24 x 235 mm, edged or rounded
forend and striking plate:	steel lacquered - brass colour steel lacquered - silver colour stainless steel solid brass, polished
latch bolt:	metall nickel plated
dead bolt:	steel nickel plated

Also available with light spring for knob handles.



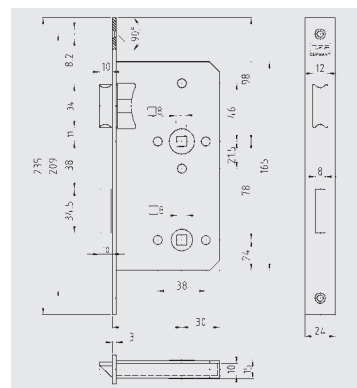
CES mortise lock 7734

with transmission bar
prepared for profile cylinders



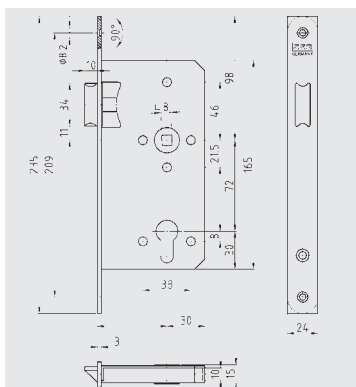
CES mortise lock 7710

1 formed key each



CES mortise lock 7790

78 mm distance
8/8 mm follower
bathroom lock

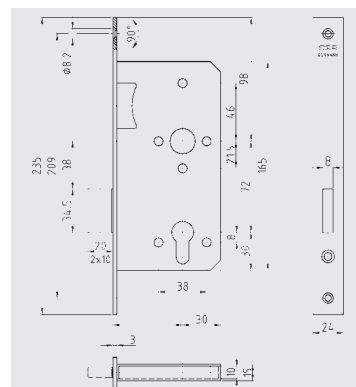


CES mortise lock 7700-01

only latch bolt

CES mortise lock 7734-01

only latch bolt
with transmission bar
same as 7700-01, but operated
by handle and key



CES mortise lock 7730-02

only dead bolt