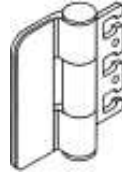


Article
B9107.100



HEWI Triple-Roll Hinge

in steel frames:

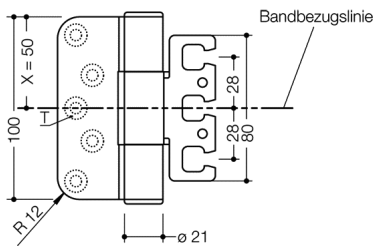
For flush doors (up to 100 kg) in steel frames, to be used with attaching device VX7611.3D, VX7612.3D (Simonswerk), made from polyamide with supporting steel frame made from 4 mm galvanised sheet steel and closed hinge roll, with stainless steel pin, maintenance-free polyamide low friction bearing and polyamide cap.

in aluminium frames:

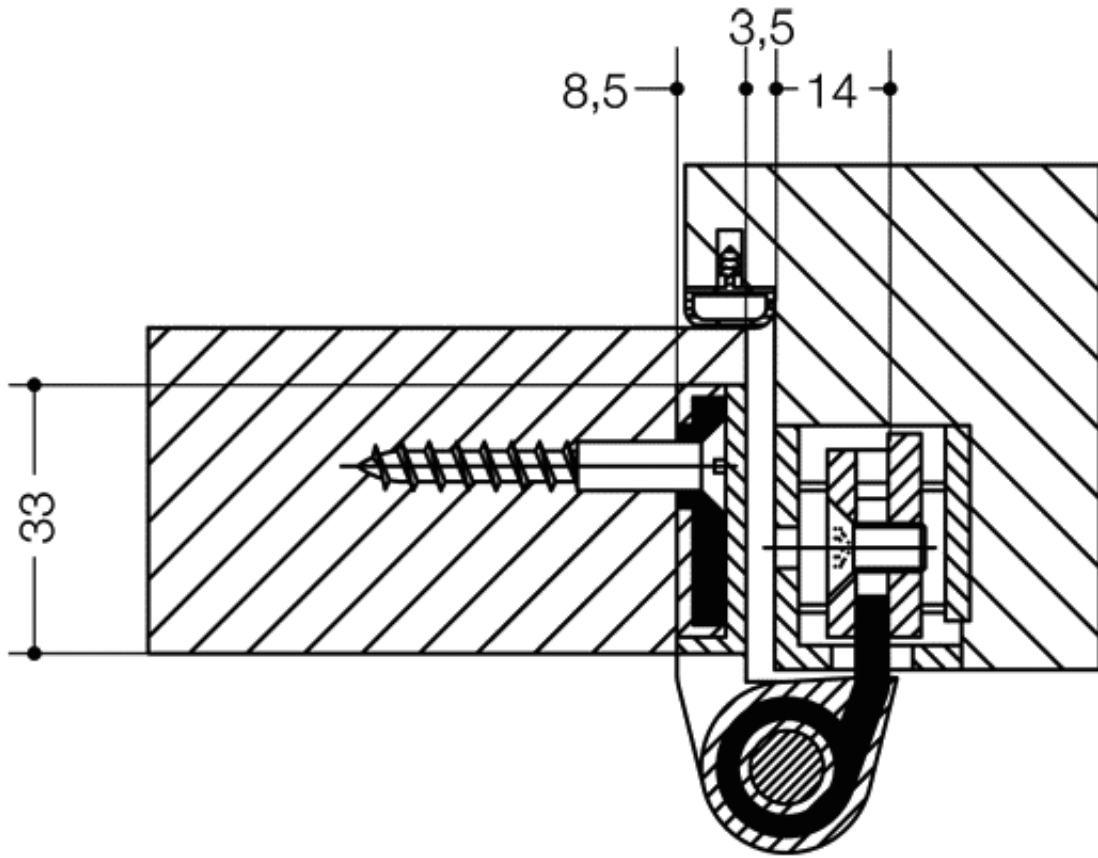
For flush doors (up to 100 kg) in aluminium frames, to be used with attaching device VX7621.3D (Simonswerk), made from polyamide with supporting steel frame made from 4 mm galvanised sheet steel and closed hinge roll, with stainless steel pin, maintenance-free polyamide low friction bearing and polyamide cap.

in wood frames:

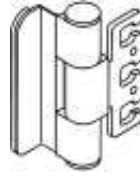
For flush doors (up to 100 kg) in timber frames, to be used with attaching device VX7601.3D, VX7602.3D (Simonswerk), made from polyamide with supporting steel frame made from 4 mm galvanised sheet steel and closed hinge roll, with stainless steel pin, maintenance-free polyamide low friction bearing and polyamide cap.



Article B9107.100



Article
B8107.100



HEWI Triple-Roll Hinge

in steel frames:

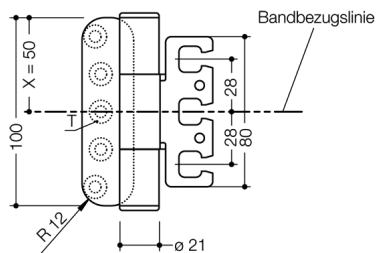
For rebated doors (up to 100 kg) in steel frames, to be used with attaching device VX7611.3D, VX7612.3D (Simonswerk), made from polyamide with supporting steel frame made from 4 mm galvanised sheet steel and closed hinge roll, with stainless steel pin, maintenance-free polyamide low friction bearing and polyamide cap.

in aluminium frames:

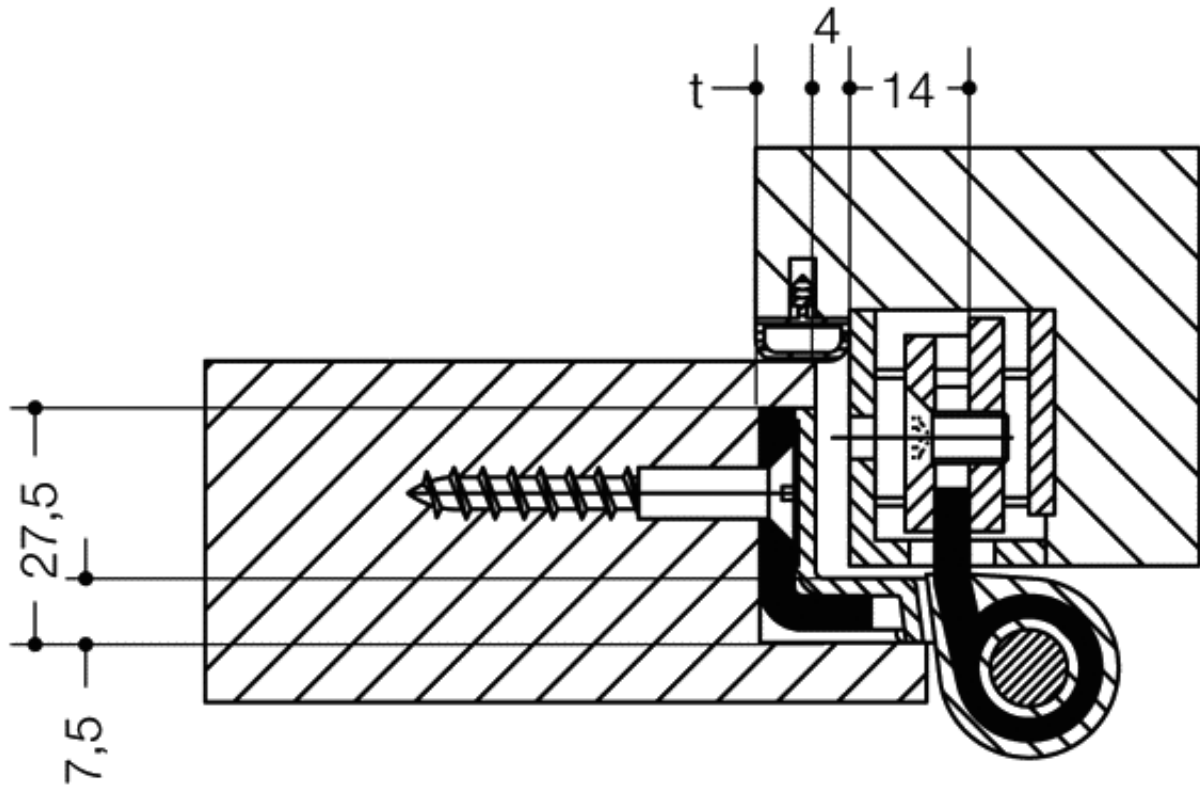
For rebated doors (up to 100 kg) in aluminium frames, to be used with attaching device VX7621.3D (Simonswerk), made from polyamide with supporting steel frame made from 4 mm galvanised sheet steel and closed hinge roll, with stainless steel pin, maintenance-free polyamide low friction bearing and polyamide cap.

in wood frames:

For rebated doors (up to 100 kg) in timber frames, to be used with attaching device VX7601.3D, VX7602.3D (Simonswerk), made from polyamide with supporting steel frame made from 4 mm galvanised sheet steel and closed hinge roll, with stainless steel pin, maintenance-free polyamide low friction bearing and polyamide cap.



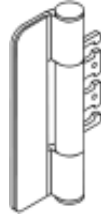
Article B8107.100



HEWI InfoWare 5.2

21.04.2012

Article B9107.160



HEWI Triple-Roll Hinge

in steel frames:

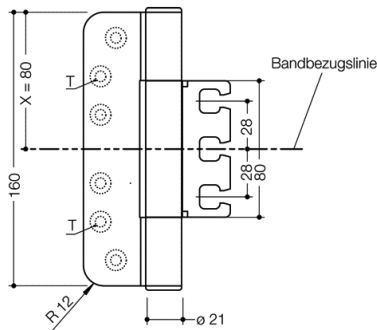
For flush doors (up to 180 kg) in steel frames, to be used with attaching device VX7611.3D, VX7612.3D (Simonswerk), made from polyamide with supporting steel frame made from 4 mm galvanised sheet steel and closed hinge roll, with stainless steel pin, maintenance-free polyamide low friction bearing and polyamide cap.

in aluminium frames:

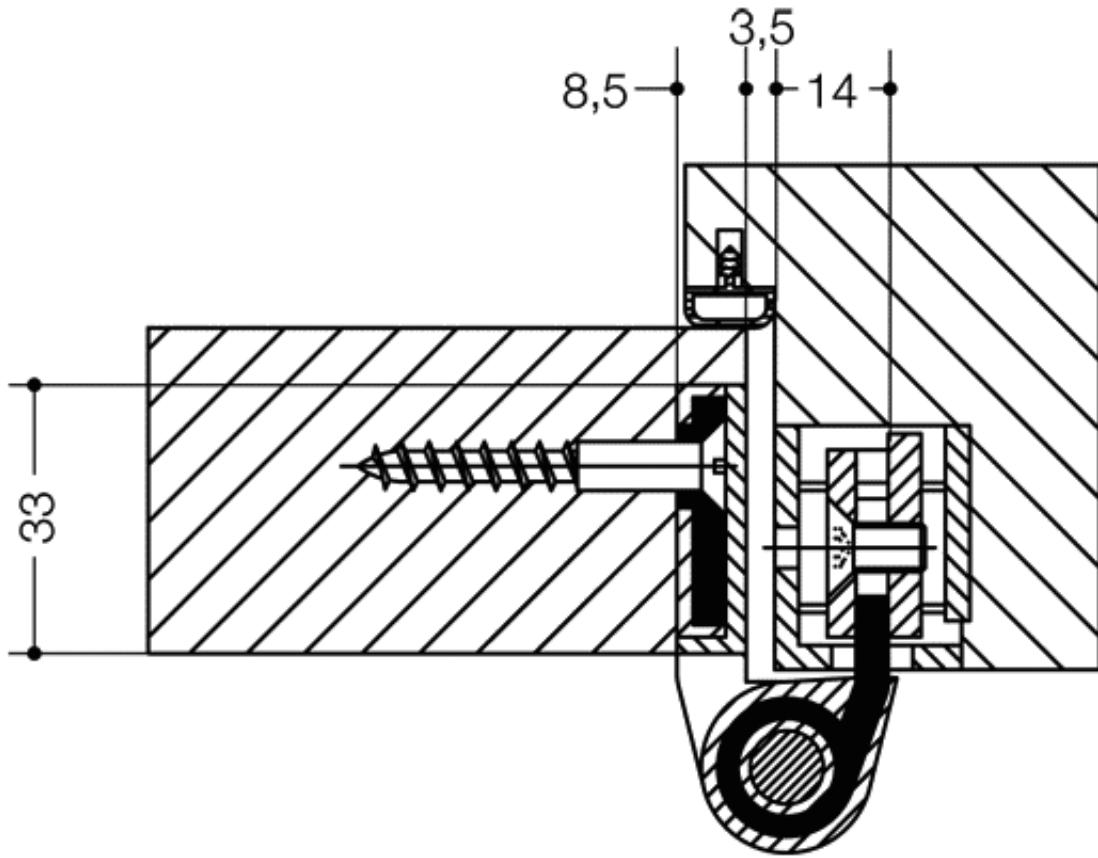
For flush doors (up to 180 kg) in aluminium frames, to be used with attaching device VX7621.3D (Simonswerk), made from polyamide with supporting steel frame made from 4 mm galvanised sheet steel and closed hinge roll, with stainless steel pin, maintenance-free polyamide low friction bearing and polyamide cap.

in wood frames:

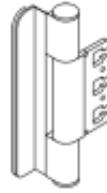
For flush doors (up to 180 kg) in timber frames, to be used with attaching device VX7601.3D, VX7602.3D (Simonswerk), made from polyamide with supporting steel frame made from 4 mm galvanised sheet steel and closed hinge roll, with stainless steel pin, maintenance-free polyamide low friction bearing and polyamide cap.



Article B9107.160



Article
B8107.160



HEWI Triple-Roll Hinge

in steel frames:

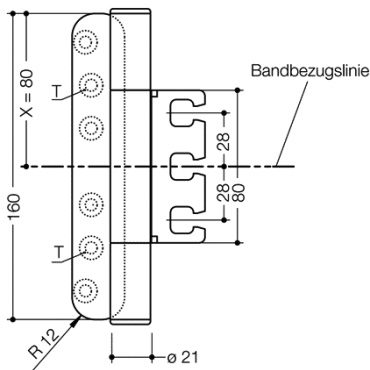
For rebated doors (up to 180 kg) in steel frames, to be used with attaching device VX7611.3D, VX7612.3D (Simonswerk), made from polyamide with supporting steel frame made from 4 mm galvanised sheet steel and closed hinge roll, with stainless steel pin, maintenance-free polyamide low friction bearing and polyamide cap.

in aluminium frames:

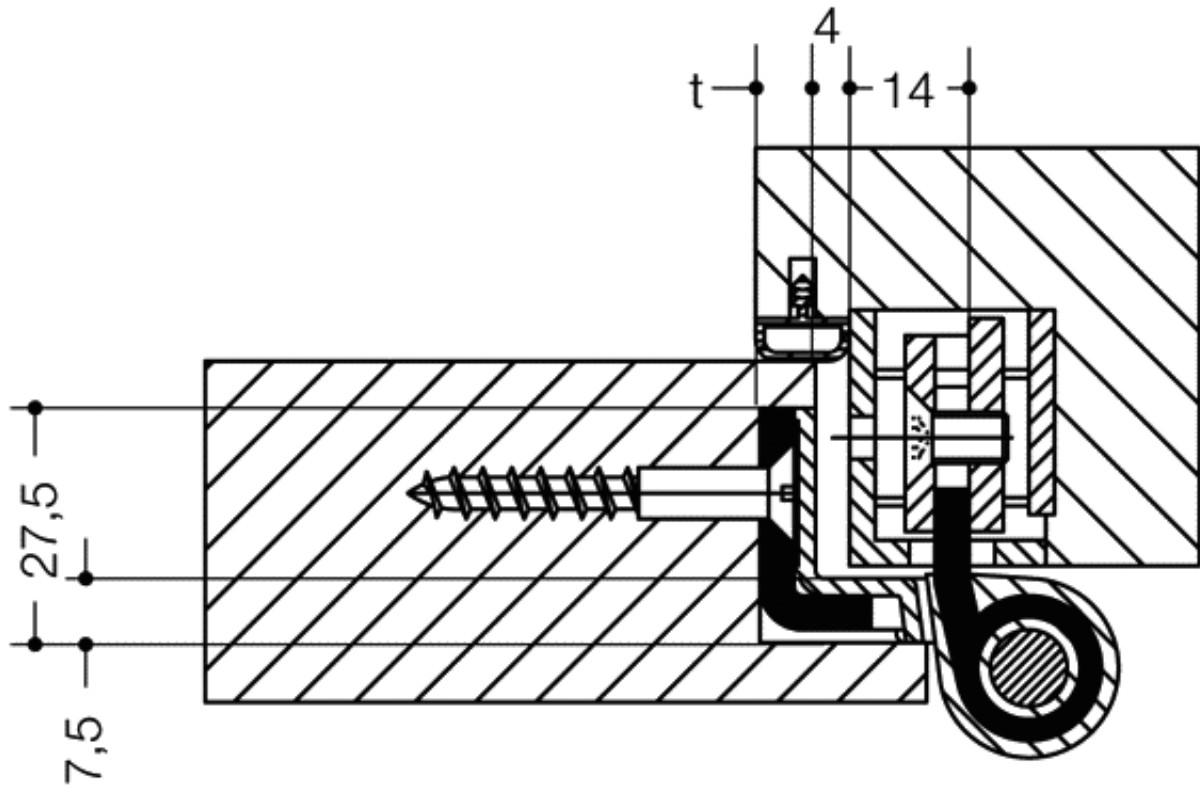
For rebated doors (up to 180 kg) in aluminium frames, to be used with attaching device VX7621.3D (Simonswerk), made from polyamide with supporting steel frame made from 4 mm galvanised sheet steel and closed hinge roll, with stainless steel pin, maintenance-free polyamide low friction bearing and polyamide cap.

in wood frames:

For rebated doors (up to 180 kg) in timber frames, to be used with attaching device VX7601.3D, VX7602.3D (Simonswerk), made from polyamide with supporting steel frame made from 4 mm galvanised sheet steel and closed hinge roll, with stainless steel pin, maintenance-free polyamide low friction bearing and polyamide cap.



Article B8107.160



Article B8107.100

Print

Basic colours13 buttercup
yellow

33 ruby red

30 burgundy

80 coffee brown

53 ultramarine
blue

50 steel blue

73 meadow
green

70 forest green

74 apple green

24 orange

Neutral colours

99 pure white

97 light grey

95 stone grey

92 anthracite
grey

90 jet black

Pastel colours16 blossom
yellow

56 lilac blue