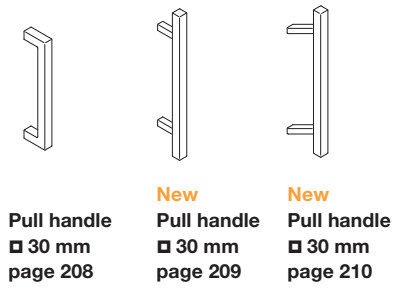




Pull Handles

Overview	206
Pull handles stainless steel, System 100	208
Pull handles stainless steel, System 111	211
Pull handles stainless steel, System 162	216
Components stainless steel, CombiSystem	222
Pull handles polyamide, System 111	224
Pull handle polyurethane, System 111	229
Pull handle polyamide, Range 130	229
Pull handles polyamide, ø33 and ø40 mm	230
Fixing types	236
Installation jig	246
Mounting instructions	247

System 100

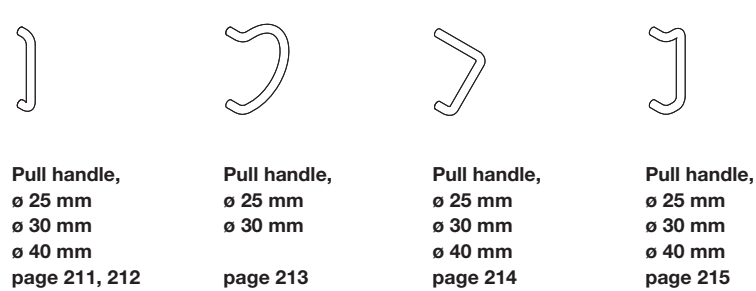


Pull handle  
□ 30 mm  
page 208

**New**  
Pull handle  
□ 30 mm  
page 209

**New**  
Pull handle  
□ 30 mm  
page 210

System 111



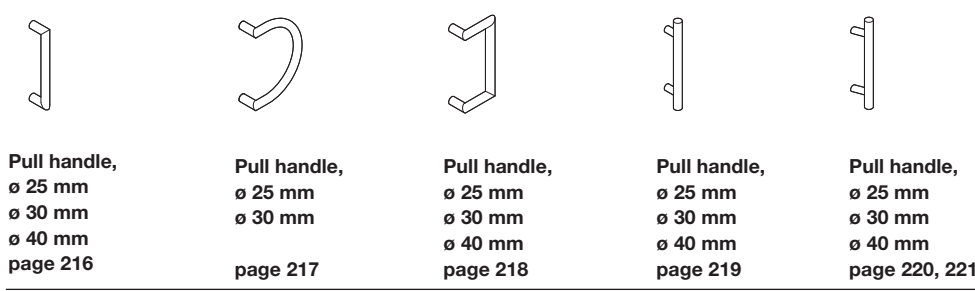
Pull handle,  
ø 25 mm  
ø 30 mm  
ø 40 mm  
page 211, 212

Pull handle,  
ø 25 mm  
ø 30 mm  
page 213

Pull handle,  
ø 25 mm  
ø 30 mm  
ø 40 mm  
page 214

Pull handle,  
ø 25 mm  
ø 30 mm  
ø 40 mm  
page 215

System 162



Pull handle,  
ø 25 mm  
ø 30 mm  
ø 40 mm  
page 216

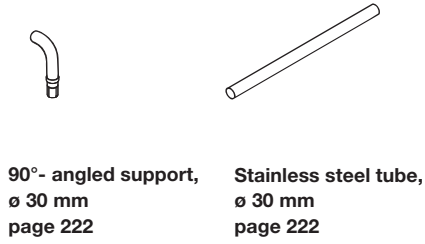
Pull handle,  
ø 25 mm  
ø 30 mm  
page 217

Pull handle,  
ø 25 mm  
ø 30 mm  
ø 40 mm  
page 218

Pull handle,  
ø 25 mm  
ø 30 mm  
ø 40 mm  
page 219

Pull handle,  
ø 25 mm  
ø 30 mm  
ø 40 mm  
page 220, 221

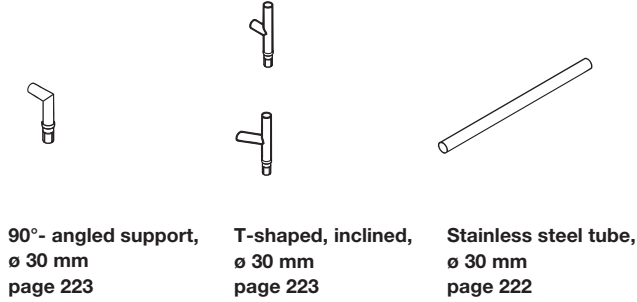
CombiSystem System 111



90°- angled support,  
ø 30 mm  
page 222

Stainless steel tube,  
ø 30 mm  
page 222

CombiSystem System 162

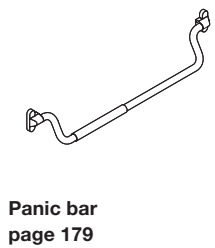


90°- angled support,  
ø 30 mm  
page 223

T-shaped, inclined,  
ø 30 mm  
page 223

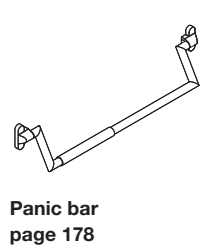
Stainless steel tube,  
ø 30 mm  
page 222

Panic Bar System 111



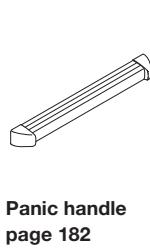
Panic bar  
page 179

Panic Bar System 162



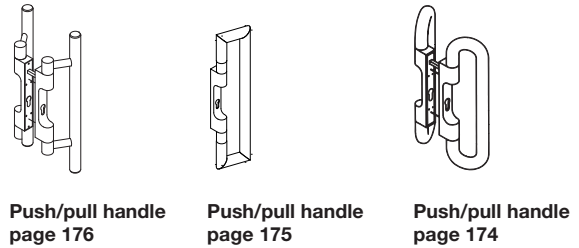
Panic bar  
page 178

Panic Handle



Panic handle  
page 182

Push/Pull Handles



Push/pull handle  
page 176

Push/pull handle  
page 175

Push/pull handle  
page 174

**System 111**



**Pull handle,**  
ø 30 mm  
ø 33 mm

page 224



**Pull handle,**  
ø 30 mm

page 224



**Pull handle,**  
ø 30 mm  
ø 33 mm  
ø 40 mm

page 225



**Pull handle,**  
ø 30 mm  
ø 33 mm

page 226



**Pull handle,**  
ø 33 mm  
ø 40 mm

page 227



**Pull handle,**  
ø 30 mm

page 228



**Pull handle,**  
ø 33 mm

page 228

**System 111 Soft Touch**



**Pull handle,**  
ø 33 mm

page 229



**Pull handle,**  
ø 31 mm

page 229

**Range 130**

**Pull Handles for partition wall systems**



**Pull handle**  
page 233



**Pull handle**  
page 233

**Pull Handles ø 33 and 40 mm**



**Pull handle,**  
ø 33 mm  
ø 40 mm

page 230



**Pull handle,**  
ø 33 mm  
ø 40 mm

page 231



**Pull handle,**  
ø 33 mm  
ø 40 mm

page 232



**Pull handle,**  
ø 33 mm  
ø 40 mm

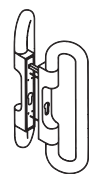
page 234



**Pull handle,**  
ø 33 mm  
ø 40 mm

page 235

**Push/Pull Handles**



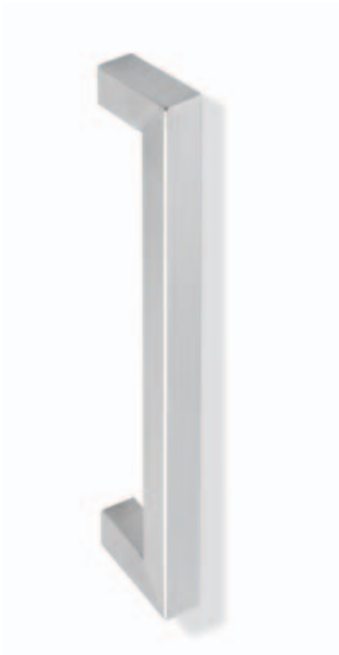
**Push/pull handle**  
page 177



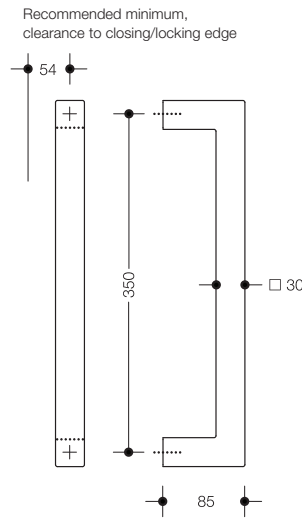
**Softlink**

By entering this code in the Softlink field on the HEWI Website you receive further product and/or service information.

→ Available HEWI materials/surfaces/colours **see inlay on the back page**



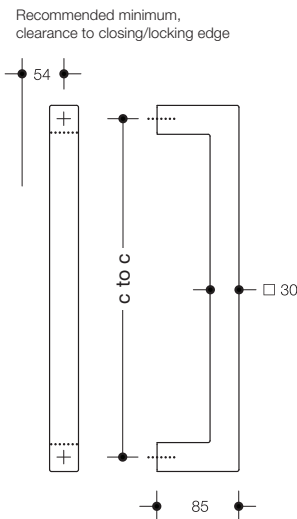
**A2J9E**



**100XA.3035G1**

**HEWI Pull handle □ 30 mm**  
made of stainless steel, centre to centre 350 mm.

**A2J9E**



C to C (mm)	100XA3000G1
351 - 599	
600 - 799	
800 - 999	
1000 - 1199	
1200 - 1399	
1400 - 1599	
1600 - 1799	
1800 - 1999	
2000 - 2250	

Other dimensions on request

**100XA.3000G1**

**HEWI Pull handle □ 30 mm**  
made of stainless steel, variable center to center.

100XA.3000G1

c to c  
351 mm - 2250 mm

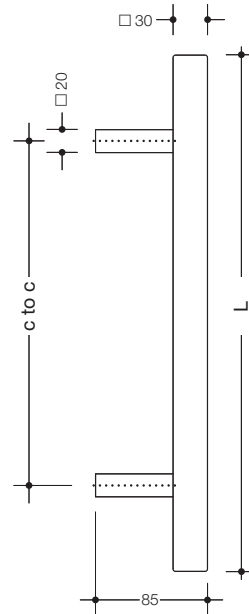
**Material | Surface**

**Stainless steel**

A = satin, C = mirror polished

Softlink  
Item Number

Dimensions in mm / Specification



Pull Handles

Length L (mm)	100XA.3000G6
451 - 599	
600 - 799	
800 - 999	
1000 - 1199	
1200 - 1399	
1400 - 1599	
1600 - 1799	
1800 - 1999	

Other dimensions on request

**New** 100XA.3030G6

**New** 100XA.3000G6

**New** BA5.7.1

**New** BA5.7.2

**New** BA5.7.38.43

**New** BA5.7.43.48

**New** BA5.7.48.53

**New** BA5.7.53.58

**New** BA5.7.55.70

**New** BA5.7.70.85

**HEWI Pull handle □ 30 mm**

made of stainless steel, with supports □ 20 mm.

c to c	Length L
300 mm	450 mm
301 mm - 1850 mm	451 mm - 2000 mm

Installation is only possible with following fixing types:

**HEWI Fixing type 5.7...**

for mounting handle to solid wood, plastic and 2-3 chamber aluminium sections.  
Drill hole in door ø 12 mm.

**One-sided:**

Dimension L = 46, door thickness 50 mm  
Dimension L = 30, door thickness 35 - 50 mm

**Per pair:**

Door thickness 38 - 43 mm  
Door thickness 43 - 48 mm  
Door thickness 48 - 53 mm  
Door thickness 53 - 58 mm  
Door thickness 55 - 70 mm  
Door thickness 70 - 85 mm

**Mounting tool**

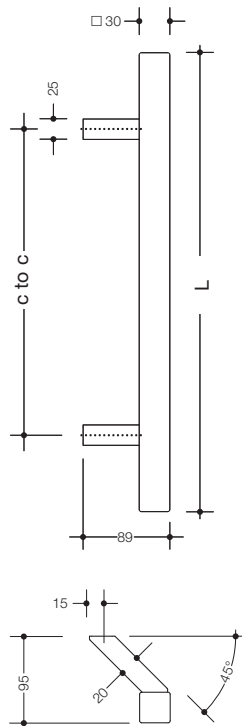
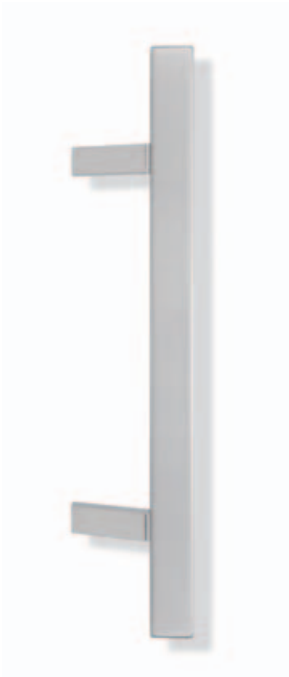
Combination wrench SW13 and fixed spanner SW5  
Further fixing types on request.

**Ordering and further information**

**Item number**  
**Please advise surface finish when ordering:**  
A = satin, C = mirror polished  
**Fixing types:**  
**one-sided/per pair** from page 236  
**If applicable door thickness**  
**Other dimensions on request**

**Cross-references**

← HEWI Lever handles System 100 **page 18**  
← HEWI Window handles **page 184**  
→ HEWI Symbols stainless steel **page 310**  
→ Mounting instructions/framed doors **from page 248**



Length L (mm)	100XA.3000G7
451 - 599	
600 - 799	
800 - 999	
1000 - 1199	
1200 - 1399	
1400 - 1599	
1600 - 1799	
1800 - 1999	

Other dimensions on request

**New** 100XA.3030G7

**New** 100XA.3000G7

**New** BA5.7.1R

**New** BA5.7.2R

**New** BA5.7.38.43R

**New** BA5.7.43.48R

**New** BA5.7.48.53R

**New** BA5.7.53.58R

**New** BA5.7.55.70R

**New** BA5.7.70.85R

**HEWI Pull handle □ 30 mm**

made of stainless steel, with inclined supports □ 25 mm, Especially suitable for framed doors according BUK.

c to c	Length L
300 mm	450 mm
301 mm - 1850 mm	451 mm - 2000 mm

Installation is only possible with following fixing types:

**HEWI Fixing type 5.7...R**

for mounting handle to solid wood, plastic and 2-3 chamber aluminium sections. Drill hole in door ø 12 mm.

**One-sided:**

Dimension L = 46, door thickness van 50 mm  
Dimension L = 30, door thickness 35 - 50 mm

**Per pair:**

- Door thickness 38 - 43 mm
- Door thickness 43 - 48 mm
- Door thickness 48 - 53 mm
- Door thickness 53 - 58 mm
- Door thickness 55 - 70 mm
- Door thickness 70 - 85 mm

**Mounting tool**

Combination wrench SW10 and SW 13

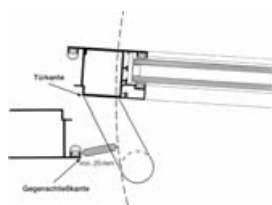
Further fixing types on request.

**Material | Surface**

**Stainless steel**

A = satin, C = mirror polished

**Especially suitable for framed doors**

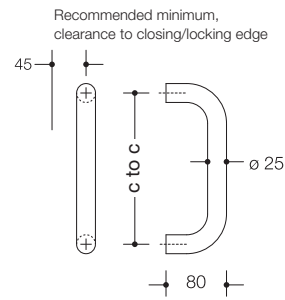


Softlink  
Item Number

Dimensions in mm / Specification



**G7D3E**



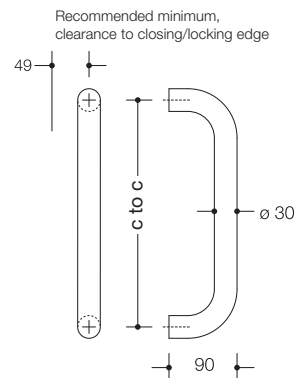
**111XA.25...G1**

**HEWI Pull handle  $\varnothing$  25 mm**  
made of stainless steel.

- 111XA.2520G1
- 111XA.2521G1
- 111XA.2525G1
- 111XA.2530G1

- c to c
- 200 mm
  - 210 mm
  - 250 mm
  - 300 mm

**G7D3E**



**111XA.30...G1**

**HEWI Pull handle  $\varnothing$  30 mm**  
made of stainless steel.

- 111XA.3030G1
- 111XA.3035G1
- 111XA.3036G1
- 111XA.3040G1
- 111XA.3005G1
- 111XA.3006G1
- 111XA.3008G1
- 111XA.3010G1
- 111XA.3015G1

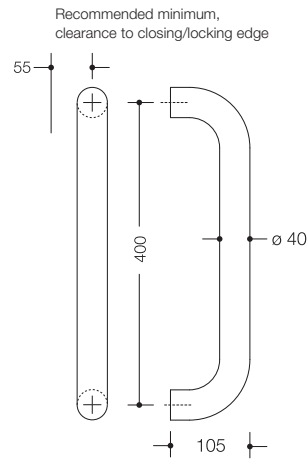
- c to c
- 300 mm
  - 350 mm
  - 360 mm
  - 400 mm
  - 500 mm
  - 600 mm
  - 800 mm
  - 1000 mm
  - 1500 mm

**Ordering and further information**

**Item number**  
**Please advise surface finish when ordering:**  
A = satin, C = mirror polished  
**Fixing types:**  
**one-sided/per pair** from page 236  
**If applicable door thickness**  
**Other dimensions on request**

**Cross-references**

- ← HEWI Lever handles **page 2, 3**
- ← HEWI Window handles **page 184**
- HEWI Symbols stainless steel **page 310**
- Mounting instructions/framed doors **from page 248**



111XA.4040G1

**HEWI Pull handle ø 40 mm**  
made of stainless steel, c to c 400 mm.

**Material | Surface**

**Stainless steel**

A = satin, C = mirror polished

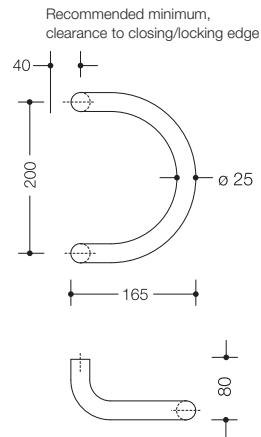


Softlink  
Item Number

Dimensions in mm / Specification



**N7J9E**



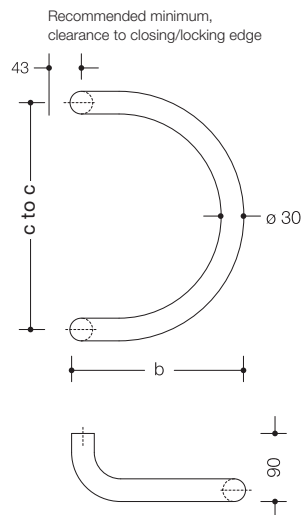
**111XA.2520G2**

**HEWI Pull handle ø 25 mm**  
made of stainless steel.

111XA.2520G2

c to c                  Dimension b  
200 mm                  165 mm

**N7J9E**



**111XA.30...G2**

**HEWI Pull handle ø 30 mm**  
made of stainless steel.

111XA.3030G2  
111XA.3035G2

c to c                  Dimension b  
300 mm                  230 mm  
350 mm                  255 mm

**Ordering and further information**

**Item number**  
**Please advise surface finish when ordering:**  
A = satin, C = mirror polished  
**Fixing types:**  
**one-sided/per pair** from page 236  
**If applicable door thickness**  
**Other dimensions on request**

**Cross-references**

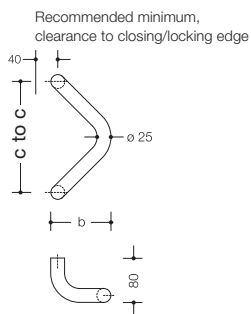
← HEWI Lever handles **page 2, 3**  
← HEWI Window handles **page 184**  
→ HEWI Symbols stainless steel **page 310**  
→ Mounting instructions/framed doors  
**from page 248**

Softlink  
Item Number

Dimensions in mm / Specification



 **C5Y3E**

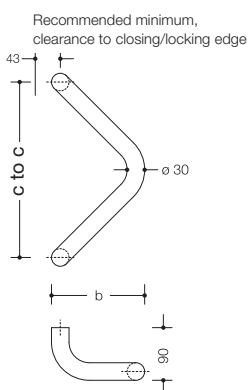


**111XA.25...G3**

**HEWI Pull handle ø 25 mm**  
made of stainless steel.

111XA.2525G3  
111XA.2530G3

c to c	Dimension b
250 mm	139 mm
300 mm	164 mm

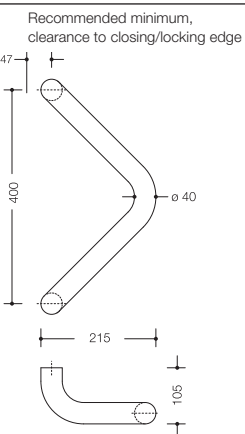


**111XA.30...G3**

**HEWI Pull handle ø 30 mm**  
made of stainless steel.

111XA.3030G3  
111XA.3035G3  
111XA.3036G3  
111XA.3040G3

c to c	Dimension b
300 mm	159 mm
350 mm	190,5 mm
360 mm	195,5 mm
400 mm	215,5 mm



**111XA.4040G3**

**HEWI Pull handle ø 40 mm**  
made of stainless steel, c to c 400 mm.

**Material | Surface**

**Stainless steel**

A = satin, C = mirror polished

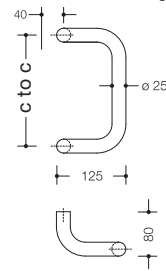
Softlink  
Item Number

Dimensions in mm / Specification



 **V0S5E**

Recommended minimum, clearance to closing/locking edge



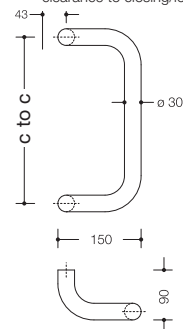
**111XA.25...G4**

**HEWI Pull handle  $\varnothing$  25 mm**  
made of stainless steel.

- 111XA.2520G4
- 111XA.2521G4
- 111XA.2525G4
- 111XA.2530G4

- c to c
- 200 mm
- 210 mm
- 250 mm
- 300 mm

Recommended minimum, clearance to closing/locking edge



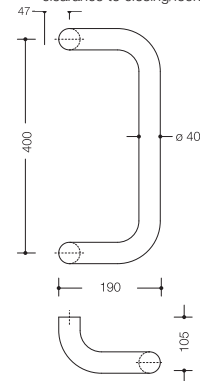
**111XA.30...G4**

**HEWI Pull handle  $\varnothing$  30 mm**  
made of stainless steel.

- 111XA.3030G4
- 111XA.3035G4
- 111XA.3036G4
- 111XA.3040G4

- c to c
- 300 mm
- 350 mm
- 360 mm
- 400 mm

Recommended minimum, clearance to closing/locking edge



**111XA.4040G4**

**HEWI Pull handle  $\varnothing$  40 mm**  
made of stainless steel, c to c 400 mm.

**Ordering and further information**

**Cross-references**

**Item number**

**Please advise surface finish when ordering:**

**A = satin, C = mirror polished**

**Fixing types:**

**one-sided/per pair** from page 236

**If applicable door thickness**

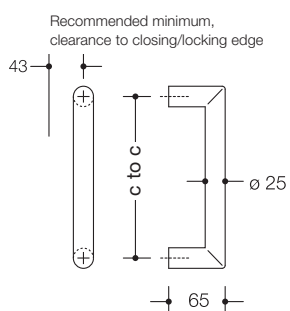
**Other dimensions on request**

← HEWI Lever handles **page 2, 3**

← HEWI Window handles **page 184**

→ HEWI Symbols stainless steel **page 310**

→ Mounting instructions/framed doors  
**from page 248**

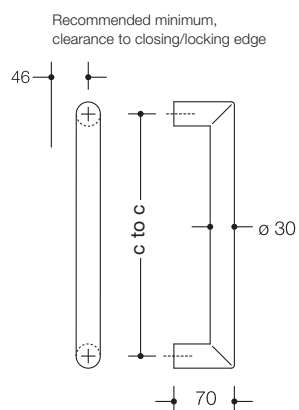


**160XA.25...G1**

**HEWI Pull handle ø 25 mm**  
made of stainless steel.

- 160XA.2520G1
- 160XA.2521G1
- 160XA.2525G1
- 160XA.2530G1

- c to c  
200 mm  
210 mm  
250 mm  
300 mm



**160XA.30...G1**

**HEWI Pull handle ø 30 mm**  
made of stainless steel.

- 160XA.3030G1
- 160XA.3035G1
- 160XA.3036G1
- 160XA.3040G1
- 160XA.3005G1
- 160XA.3006G1
- 160XA.3008G1
- 160XA.3010G1
- 160XA.3015G1

- c to c  
300 mm  
350 mm  
360 mm  
400 mm  
500 mm  
600 mm  
800 mm  
1000 mm  
1500 mm

**Material | Surface**

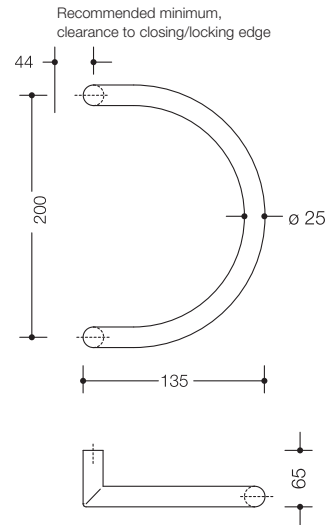
**Stainless steel**

A = satin, C = mirror polished

Softlink  
Item Number

Dimensions in mm / Specification

 **J0H7E**



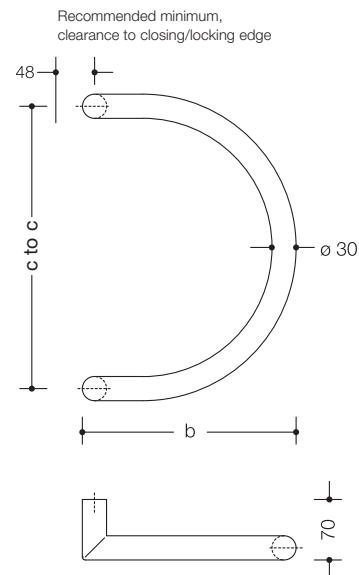
**160XA.2520G2**

**HEWI Pull handle ø 25 mm**  
made of stainless steel.

160XA.2520G2

c to c      Dimension b  
200 mm      135 mm

 **J0H7E**



**160XA.30...G2**

**HEWI Pull handle ø 30 mm**  
made of stainless steel.

160XA.3030G2  
160XA.3035G2

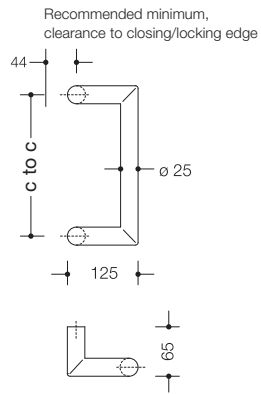
c to c      Dimension b  
300 mm      195 mm  
350 mm      220 mm

**Ordering and further information**

**Item number**  
**Please advise surface finish when ordering:**  
A = satin, C = mirror polished  
**Fixing types:**  
**one-sided/per pair** from page 236  
**If applicable door thickness**  
**Other dimensions on request**

**Cross-references**

← HEWI Lever handles **page 2, 3**  
← HEWI Window handles **page 184**  
→ HEWI Symbols stainless steel **page 310**  
→ Mounting instructions/framed doors  
**from page 248**

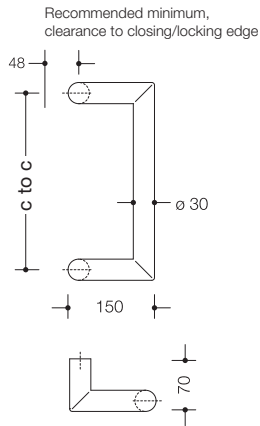


**160XA.25...G4**

**HEWI Pull handle  $\varnothing$  25 mm**  
made of stainless steel.

- 160XA.2520G4
- 160XA.2521G4
- 160XA.2525G4
- 160XA.2530G4

- c to c  
200 mm  
210 mm  
250 mm  
300 mm



**160XA.30...G4**

**HEWI Pull handle  $\varnothing$  30 mm**  
made of stainless steel.

- 160XA.3030G4
- 160XA.3035G4
- 160XA.3036G4
- 160XA.3040G4

- c to c  
300 mm  
350 mm  
360 mm  
400 mm

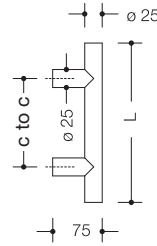
**Material | Surface**

**Stainless steel**

A = satin, C = mirror polished

Softlink  
Item Number

Dimensions in mm / Specification



**160XA.25...G6**

**HEWI Pull handle  $\varnothing$  25 mm**  
made of stainless steel.

- 160XA.2520G6
- 160XA.2521G6
- 160XA.2525G6
- 160XA.2530G6

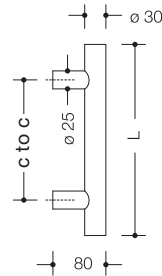
c to c	length L
200 mm	300 mm
210 mm	300 mm
250 mm	350 mm
300 mm	400 mm

160XA.2500G6

100 mm - 1300 mm      150 mm - 1399 mm

Length L (mm)	160XA.2500G6	160XA.3000G6
150-199		
200-299		
300-399		
400-499		
500-599		
600-699		
700-799		
800-899		
900-999		
1000-1099		
1100-1199		
1200-1299		
1300-1399		
1400-1499		
1500-1599		
1600-1699		
1700-1799		
1800-1899		
1900-1999		
2000-2099		
2100-2199		
2200-2299		

Other dimensions on request



**160XA.30...G6**

**HEWI Pull handle  $\varnothing$  30 mm**  
made of stainless steel, with supports  $\varnothing$  25 mm.

- 160XA.3030G6
- 160XA.3035G6
- 160XA.3036G6
- 160XA.3005G6
- 160XA.3006G6
- 160XA.3008G6
- 160XA.3010G6
- 160XA.3015G6

c to c	length L
300 mm	400 mm
350 mm	450 mm
360 mm	450 mm
400 mm	500 mm
500 mm	600 mm
700 mm	800 mm
900 mm	1000 mm
1400 mm	1500 mm

160XA.3000G6

100 mm - 1500 mm      150 mm - 1549 mm  
1501 mm - 2200 mm      1550 mm - 2299 mm \*

**\*1 Note:**

From a unit spacing of 1500 mm, optionally with three supports (state distance a1 and a2) or inner stabilisation.

a max = L - 50 mm

**Ordering and further information**

**Item number**

Please advise surface finish when ordering:

A = satin, C = mirror polished

**Fixing types:**

one-sided/per pair from page 236

If applicable door thickness

Other dimensions on request

**Cross-references**

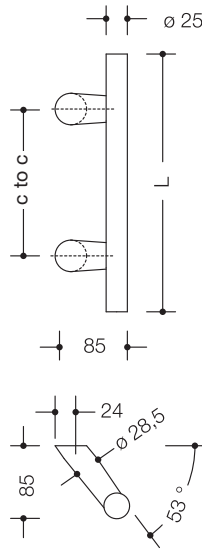
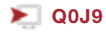
← HEWI Lever handles page 2, 3

← HEWI Window handles page 184

→ HEWI Symbols stainless steel page 310

→ Mounting instructions/framed doors

from page 248



Length L (mm)	160XA.2500G7	Z60XA.3000G7
150-199		
200-299		
300-399		
400-499		
500-599		
600-699		
700-799		
800-899		
900-999		
1000-1099		
1100-1199		
1200-1299		
1300-1399		
1400-1499		
1500-1599		
1600-1699		
1700-1799		
1800-1899		
1900-1999		
2000-2099		
2100-2199		
2200-2299		

**160XA.25...G7**

- 160XA.2520G7
- 160XA.2521G7
- 160XA.2525G7
- 160XA.2530G7

160XA.2500G7

**HEWI Pull handle ø 25 mm**

made of stainless steel, with inclined supports, especially suitable for framed and braced doors. <

c to c	length L
200 mm	300 mm
210 mm	300 mm
250 mm	350 mm
300 mm	400 mm
100 mm - 1300 mm	150 mm - 1399 mm

Other dimensions on request

a max = L - 50 mm

**Material | Surface**

**Stainless steel**

A = satin, C = mirr or polished

**Mounting instructions**

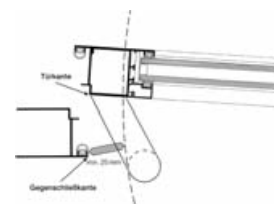
**Let op:**

Aanbevolen minimale afstand t.o.v. de sluitkant 25 mm.

**\* Nota:**

Vanaf een c to c van 1 500 mm optioneel met derde steun (afstand a1 en a2 aangeven) of interne versterking.

**Especially suitable for framed doors**

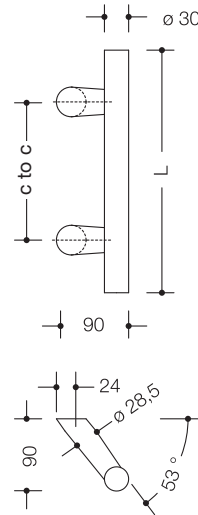




Softlink  
Item Number

Dimensions in mm / Specification

 **Q0J9E**



Pull Handles

**160XA.30...G7**

**HEWI Pull handle ø 30 mm**

made of stainless steel, with inclined supports, especially suitable for framed and braced doors. Rose-mounting is not possible.

	c to c	length L
160XA.3030G7	300 mm	400 mm
160XA.3035G7	350 mm	450 mm
160XA.3036G7	360 mm	450 mm
160XA.3005G7	400 mm	500 mm
160XA.3006G7	500 mm	600 mm
160XA.3008G7	700 mm	800 mm
160XA.3010G7	900 mm	1000 mm
160XA.3015G7	1400 mm	1500 mm
160XA.3000G7	100 mm - 1500 mm 1501 mm - 2200 mm	150 mm - 1549 mm 1550 mm - 2299 mm *

**Ordering and further information**

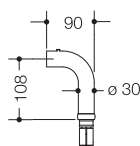
**Item number**  
Please advise surface finish when ordering:  
A = satin, C = mirror polished  
**Fixing types:**  
**one-sided/per pair** from page 236  
**If applicable door thickness**  
**Other dimensions on request**

**Cross-references**

← HEWI Lever handles **page 2, 3**  
← HEWI Window handles **page 184**  
→ HEWI Symbols stainless steel **page 310**  
→ Mounting instructions/framed doors  
**from page 248**

Item Number

Dimensions in mm / Specification



111XA30K1...

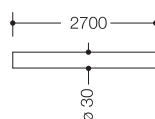
**HEWI 90° angled support, ø 30 mm**

made of stainless steel CombiSystem, with connecting and fixing element. Surface finish of tube: A = satin.

**Please note:** packaging unit 10 pcs.

506132

Optional third support with connecting elements on both sides, height 60 mm.



100XA30K27

**HEWI Stainless steel tube, ø 30 mm**

made of stainless steel CombiSystem, length 2700 mm.

Surface finish of tube: A = satin.

**Please note:** packaging unit 4 pcs.

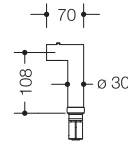
**Material | Surface**

**Stainless steel**

A = satin, C = mirror polished

Item Number

Dimensions in mm / Specification



**160XA30K1...**

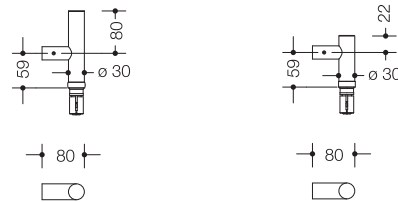
**HEWI 90° angled support, ø 30 mm**

made of stainless steel CombiSystem, with connecting and fixing element. Surface finish of tube: A = satin.

**Please note:** packaging unit 10 pces.

**506133**

Optional third support with connecting elements on both sides, height 40 mm.



**160XA30K6...**

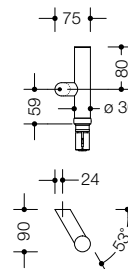
**HEWI T-shaped support, ø 30 mm**

made of stainless steel CombiSystem, with connecting and fixing element. Surface finish of tube: A = satin.

**Please note:** packaging unit 10 pces.

**506138**

Optional third support with connecting elements on both sides, height 50 mm.



**160XA30K7...**

**HEWI T-shaped, inclined, ø 30 mm**

made of stainless steel CombiSystem, with connecting and fixing element, inclined support, suitable for framed and braced doors. Surface finish of tube: A = satin. Rose-mounting is not possible.

**Please note:** packaging unit 10 pces.

**506131**

Optional third support with connecting elements on both sides, height 60 mm.

**Attention:**

Minimum fixing distance to door edge 25 mm (see illustration).

**Ordering and further information**

**Cross-references**

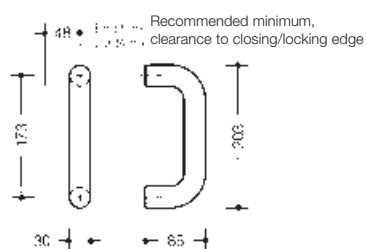
**Item number**  
**Fixing types:**  
**one-sided/per pair** from page 236  
**If applicable door thickness**

← HEWI Lever handles **page 2, 3**  
 ← HEWI Window handles **page 184**  
 → HEWI Symbols stainless steel **page 310**  
 → Mounting instructions/framed doors  
**from page 248**

Softlink  
Item Number

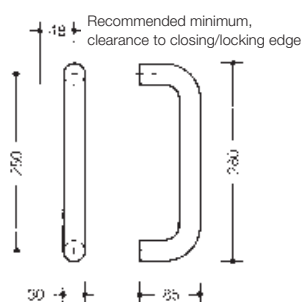
Dimensions in mm / Specification

 **E8Y3E**



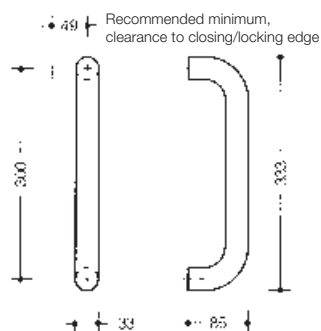
**550LT**

**HEWI Pull handle ø 30 mm**  
made of high-quality polyamide, c to c 173 mm.



**550.250LT**

**HEWI Pull handle ø 30 mm**  
made of high-quality polyamide, c to c 250 mm.



**550.33LT**

**HEWI Pull handle ø 33 mm**  
made of high-quality polyamide, c to c 300 mm.

**Material | Colour**

**Polyamide**

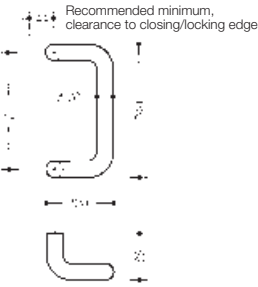
Available HEWI colours  
see inlay on the back page

Softlink  
Item Number

Dimensions in mm / Specification



**E8Y3E**

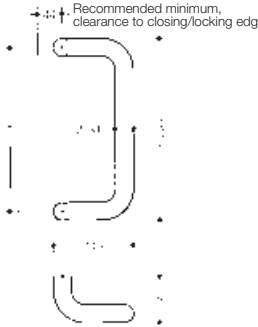


**550GKLT**

**HEWI Pull handle ø 30 mm**  
made of high-quality polyamide, c to c 210 mm.



**E8Y3E**



**550.250GKLT**

**HEWI Pull handle ø 30 mm**  
made of high-quality polyamide, c to c 250 mm.

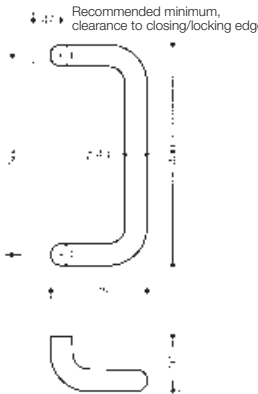


**550.33GKLT**

**HEWI Pull handle ø 33 mm**  
made of high-quality polyamide, c to c 300 mm.



**550.40GKLT**



**HEWI Pull handle ø 40 mm**  
made of high-quality polyamide, c to c 360 mm.

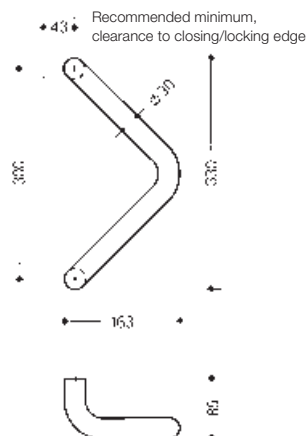
**Ordering and further information**

**Cross-references**

**Item number**  
**Colour**  
**Fixing types:**  
**one-sided/per pair** from page 236  
**If applicable door thickness**

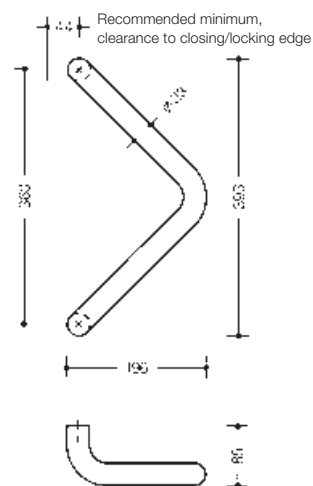
← HEWI Lever handles **page 3**  
← HEWI Window handles **page 185**  
→ HEWI Symbols polyamide **page 311**  
→ Mounting instructions/framed doors  
**from page 248**

Pull Handles



550.300GKWL

**HEWI Pull handle ø 30 mm**  
made of high-quality polyamide, c to c 300 mm.



550.33GKWL

**HEWI Pull handle ø 33 mm**  
made of high-quality polyamide, c to c 360 mm.

**Material | Colour**

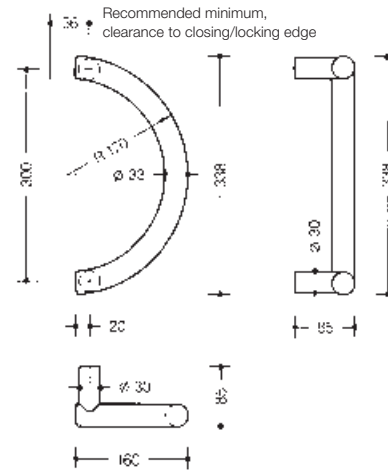
**Polyamide**

Available HEWI colours  
see inlay on the back page

Softlink  
Item Number

Dimensions in mm / Specification

 **E8Y3E**



**550.33KSLT**

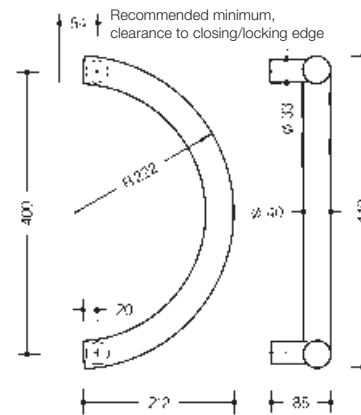
**HEWI Pull handle  $\varnothing$  33 mm**

made of high-quality polyamide, with corrosion resistant steel core, supports  $\varnothing$  30 mm, c to c 300 mm.

**Please note:**

Rose fixing only possible with BA...30STG! **page 245**

 **E8Y3E**



**550.40KSLT**

**HEWI Pull handle  $\varnothing$  40 mm**

made of high-quality polyamide, with corrosion resistant steel core, supports  $\varnothing$  33 mm, c to c 400 mm.

**Please note:**

Rose fixing only possible with BA...33STG! **page 245**

**Ordering and further information**

**Item number**  
**Colour**  
**Fixing types:**  
**one-sided/per pair** from page 236  
**If applicable door thickness**

**Cross-references**

← HEWI Lever handles **page 3**  
← HEWI Window handles **page 185**  
→ HEWI Symbols polyamide **page 311**  
→ Mounting instructions/framed doors  
**from page 248**

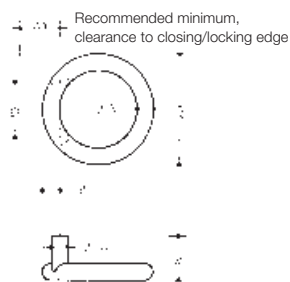
Softlink  
Item Number

Dimensions in mm / Specification

 **E8Y3E**



**550KRLT**



**HEWI Pull handle ø 30 mm**

made of high-quality polyamide, c to c 100 mm.

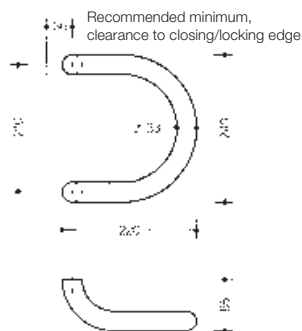
**Please note:**

Rose fixing only possible with BA...33STG! **page 245**

 **E8Y3E**



**550.33GKRLT**



**HEWI Pull handle ø 33 mm**

made of high-quality polyamide, c to c 210 mm.

Especially suitable for framed doors.

**Material | Colour**

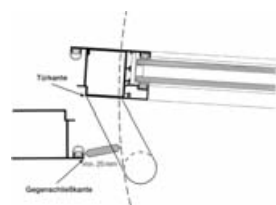
**Polyamide**

Available HEWI colours  
see inlay on the back page

**Polyurethane**

90 (black matt), 92 (anthracite grey matt)

**Especially suitable for framed doors**

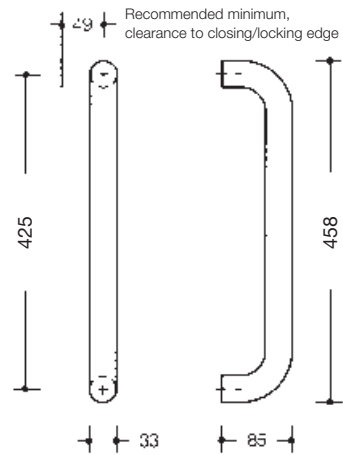




Softlink  
Item Number

Dimensions in mm / Specification

 **T8J9E**

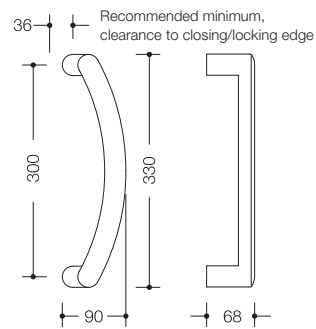


**111PB.3343G1**

**HEWI Pull handle ø 33 mm Soft Touch**

made of thermoplastic polyurethane, with corrosion resistant steel core, c to c 425 mm.

 **J5J9E**



**130.550.1**

**HEWI Pull handle**

made of high-quality polyamide, supports ø 31 mm, c to c 300 mm.

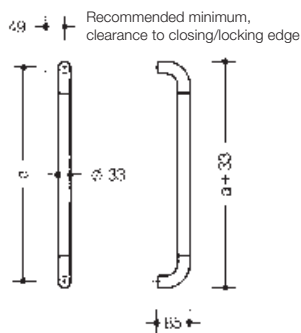
Especially suitable for framed doors.

**Ordering and further information**

**Item number**  
**Colour**  
**Fixing types:**  
**one-sided/per pair** from page 236  
**If applicable door thickness**

**Cross-references**

← HEWI Lever handles **page 3**  
← HEWI Window handles **page 185**  
→ HEWI Symbols polyamide **page 311**  
→ Mounting instructions/framed doors  
**from page 248**



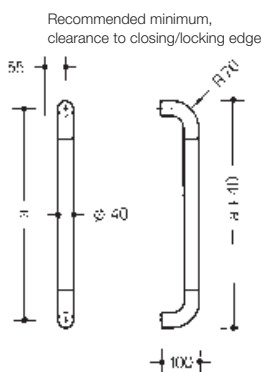
33.2010

**HEWI Pull handle  $\varnothing$  33 mm**

made of high-quality polyamide, with corrosion resistant steel core.

c to c	33.2010	40.2010	40.2010R
from (mm)	200	215	215
200-399			
400-499			
500-599			
600-699			
700-799			
800-899			
900-999			
1000-1099			
1100-1199			
1200-1299			
1300-1399			
1400-1499			
1500-1599			
1600-1699			
1700-1799			
1800-1899			
1900-1999			
2000-2099			
2100-2199			
2200-2250			
to (mm)	2150	2250	2250

Other dimensions on request



40.2010

40.2010R

**HEWI Pull handle  $\varnothing$  40 mm**

made of high-quality polyamide, with corrosion resistant steel core.

90° bend with outer radius 70 mm

90° bend with outer radius 100 mm

**Attention**

For installation of pull handle 40.2010R please use fixing type BA...R for pull handles with inclined supports.

**Material | Colour**

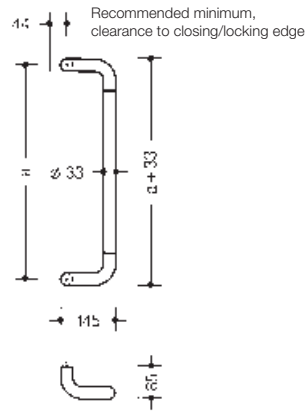
**Polyamide**

Available HEWI colours  
see inlay on the back page

Softlink  
Item Number

Dimensions in mm / Specification

 **O4H7E**



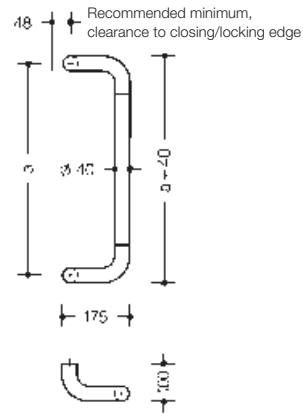
**33.2020**

**HEWI Pull handle ø 33 mm**

made of high-quality polyamide, with corrosion resistant steel core.

c to c from (mm)	33.2020	40.2020
	200	215
200-399		
400-499		
500-599		
600-699		
700-799		
800-899		
900-999		
1000-1099		
1100-1199		
1200-1299		
1300-1399		
1400-1499		
1500-1599		
1600-1699		
1700-1799		
1800-1899		
1900-1999		
2000		
<b>to (mm)</b>	<b>2000</b>	<b>2000</b>

Other dimensions on request



**40.2020**

**HEWI Pull handle ø 40 mm**

made of high-quality polyamide, with corrosion resistant steel core.

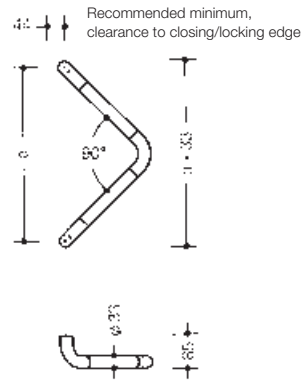
**Ordering and further information**

**Item number**  
**Colour**  
**Fixing types:**  
**one-sided/per pair** from page 236  
**If applicable door thickness**

**Cross-references**

← HEWI Lever handles **page 3**  
← HEWI Window handles **page 185**  
→ HEWI Symbols polyamide **page 311**  
→ Mounting instructions/framed doors  
**from page 248**

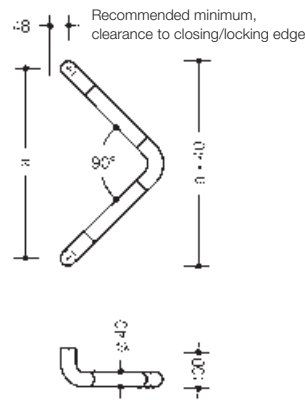
**E4D3E**



33.2023

**HEWI Pull handle  $\phi$  33 mm**

made of high-quality polyamide, with corrosion resistant steel core.



40.2023

**HEWI Pull handle  $\phi$  40 mm**

made of high-quality polyamide, with corrosion resistant steel core.

c to c	33.2023	40.2023
from (mm)	280	310
280-399		
400-499		
500-550		
to (mm)	500	550

Other dimensions on request

**Material | Colour**

**Polyamide**

Available HEWI colours  
see inlay on the back page

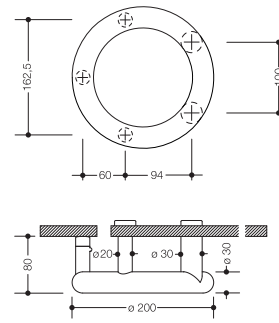
Softlink  
Item Number

Dimensions in mm / Specification

 **C9K4E**



**550KRKIGA**



**HEWI Pull handle ø 30 mm**

for cubicle fittings in nursery schools, made of high-quality polyamide, c to c 100 mm, with 4 fixing points and bumpers but fers. rear fixing with blind roses ø 30 mm. Drill hole in door ø 12 mm.

**Mounting tool**

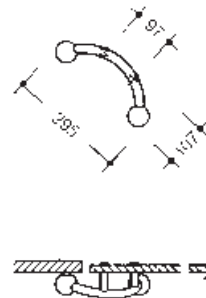
Fixed spanner SW8

Please advise door thickness when ordering.

 **C9K4E**



**550.23T.41**



**HEWI Pull handle**

for cubicle fittings in nursery schools, made of high-quality polyamide, handle ø 23 mm, ball knobs ø 55 mm, with bumpers. Supplied with fixing type BA20.4 (page 348).

Please advise door thickness when ordering.

**Available in all colour combinations:**

(see inlay on the back page).

**Example:**

Pull handle in colour 99 (pure white), ball knobs in colour 13 (buttercup yellow).

**Ordering and further information**

**Item number**

**Colour**

**Fixing types:**  
**one-sided/per pair** from page 236

**If applicable door thickness**

**If applicable c to c/length**

**If applicable colour combination**

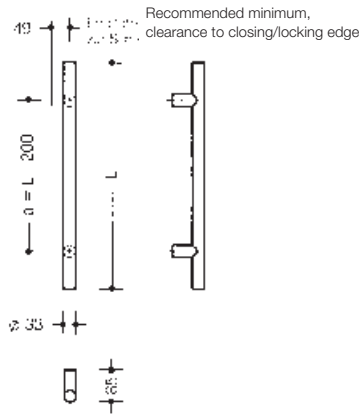
**Cross-references**

← HEWI Lever handles **page 3**

← HEWI Window handles **page 185**

→ HEWI Symbols polyamide **page 311**

→ Mounting instructions/framed doors  
**from page 248**



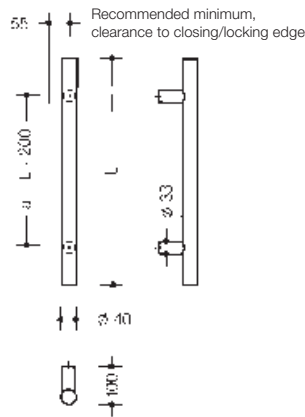
33.2070

**HEWI Pull handle  $\varnothing$  33 mm**

made of high-quality polyamide, with corrosion resistant steel core.

Length	33.2070	40.2070
from (mm)	300	300
300-399		
400-499		
500-599		
600-699		
700-799		
800-899		
900-999		
1000-1099		
1100-1199		
1200-1299		
1300-1399		
1400-1499		
1500-1599		
1600-1699		
1700-1799		
1800-1899		
1900-1999		
2000-2099		
2100-2199		
2200-2250		
to (mm)	2150	2250

Other dimensions on request



40.2070

**HEWI Pull handle  $\varnothing$  40 mm**

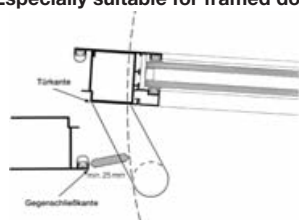
made of high-quality polyamide, with corrosion resistant steel core, supports  $\varnothing$  33 mm.

**Material | Colour**

**Polyamide**

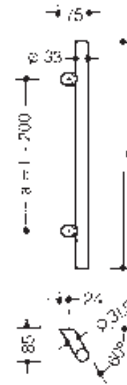
Available HEWI colours  
see inlay on the back page

**Especially suitable for framed doors**



Softlink  
Item Number

Dimensions in mm / Specification



**33.2070S**

**HEWI Pull handle ø 33 mm**

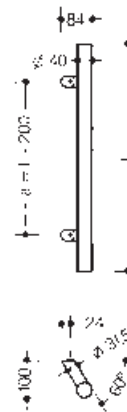
made of high-quality polyamide, with corrosion resistant steel core, with inclined supports ø 31,5 mm. Cannot be installed with roses.

**Please note:**

Design-related minimum distance to closing edge 25 mm (as per BUK guidelines optimised), therefore particularly suitable for framed doors.

Length	33.2070S	40.2070S
from (mm)	300	300
300-399		
400-499		
500-599		
600-699		
700-799		
800-899		
900-999		
1000-1099		
1100-1199		
1200-1299		
1300-1399		
1400-1499		
1500-1599		
1600-1699		
1700-1799		
1800-1899		
1900-1999		
2000-2099		
2100-2199		
2200-2250		
to (mm)	2150	2250

Other dimensions on request



**40.2070S**

**HEWI Pull handle ø 40 mm**

made of high-quality polyamide, with corrosion resistant steel core, with inclined supports ø 31,5 mm. Cannot be installed with roses.

**Please note:**

Design-related minimum distance to closing edge 25 mm (as per BUK guidelines optimised), therefore particularly suitable for framed doors.

**Ordering and further information**

Item number  
Colour  
Fixing types:  
**one-sided/per pair** from page 236  
If applicable door thickness  
If applicable c to c/length

**Cross-references**

← HEWI Lever handles **page 3**  
← HEWI Window handles **page 185**  
→ HEWI Symbols polyamide **page 311**  
→ Mounting instructions/framed doors  
**from page 248**