

Locking systems – our speciality

Core element of our product range are locking systems. Generally speaking, a locking system comprises a number of different cylinders that can be operated by one or several higher-order keys or a system including central cylinders (e.g. entrance doors of buildings) that can be operated by a number of different keys (e.g. the keys to the individual apartment doors).

Four aspects must be considered when designing a locking system:

Security

Absolute key control: key blanks are not available in the trade. Additional keys can only be ordered upon presentation of the security card. This prevents any unauthorized duplication of keys. The clear allocation of individual keys to defined persons significantly enhances the security.

Convenience

Instead of many keys, only one key is needed for all doors that a given person is permitted to open.

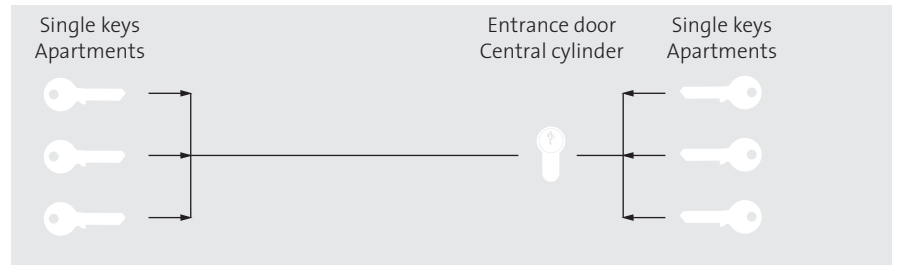
Organization

A locking system can also be used to design processes within an organization. The corporate hierarchy can thus be translated into access authorizations.

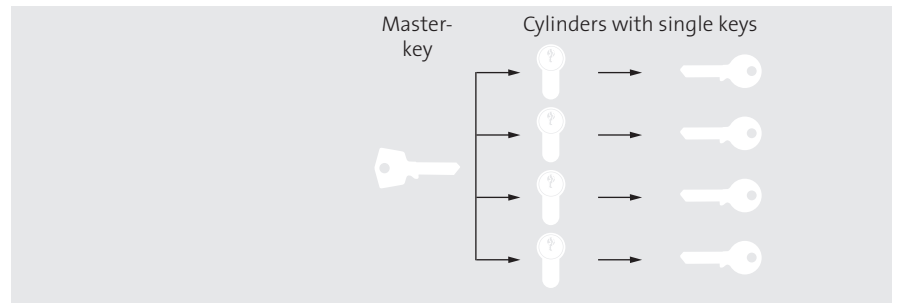
Electronics

Particularly sensitive areas call for electronic security solutions. The electronic components supplied by CES can be integrated in the mechanical locking systems.

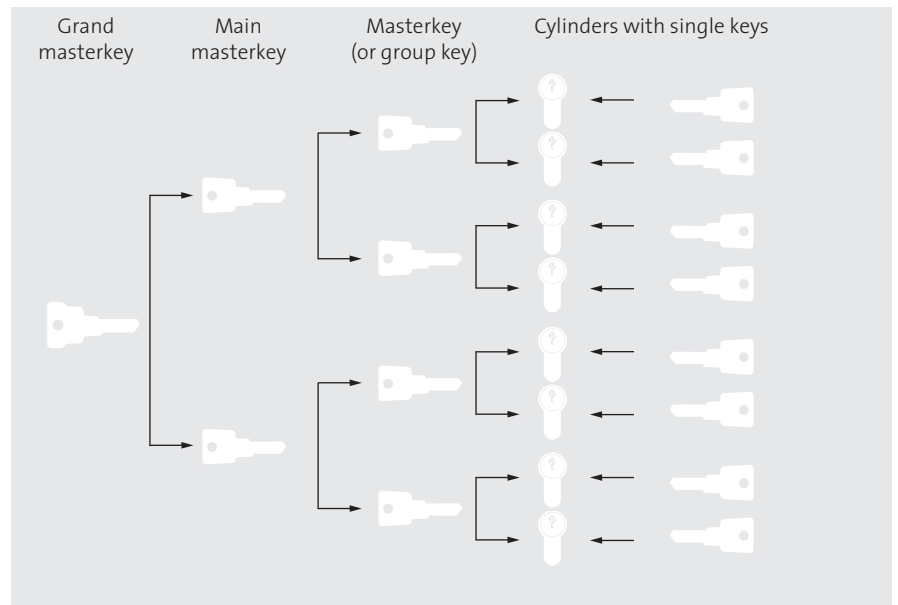
Central locking system



Masterkey system



Grand masterkey system



Locking systems – our speciality

The following table shows how to order the requested cylinders.

For example*

Key section series

SP	5-pin cylinder	810 SP5	851 1/2 SP5	815 SP5
KM	5-pin cylinder	810 KM5	851 1/2 KM5	815 KM5
WZ	5-pin cylinder	810 WZ5	851 1/2 WZ5	815 WZ5
WM	5-pin cylinder	810 WM5	851 1/2 WM5	815 WM5



Order Specifications

double cylinder
art. no. 810 ...
length inside
length outside
finish

number of keys
option antidrilling/anti-pulling protection

half cylinder
art. no. 851 1/2 ...
length

finish

number of keys
option antidrilling/anti-pulling protection

knob cylinder
art. no. 815 ...

length knobside
length keyside
cylinder finish
knob shape/finish

number of keys
option antidrilling/anti-pulling protection

The following table shows how to order the requested cylinders.

For example*

Key section series

SP	5-pin cylinder	215N SP5	5558/30 SP5	30 SP5
KM	5-pin cylinder	215N KM5	5558/30 KM5	30 KM5
WZ	5-pin cylinder	215N WZ5	5558/30 WZ5	30 WZ5
WM	5-pin cylinder	215N WM5	5558/30 WM5	30 WM5



Order Specifications

pad lock
art. no. 215N ...
shackle height
number of keys

cam cylinder
art. no. 5558/30 ...
closing direction
number of keys

rim cylinder
art. no. 30 ...
finish
number of keys

* 6- and 7-pin cylinders accordingly,
further cylinder types available, see pages 24-29

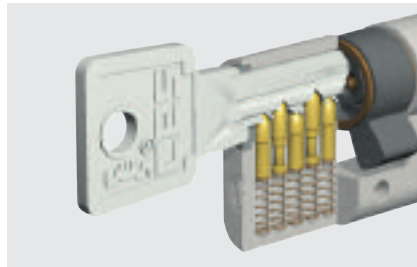
CES offers for various demands different key section series. Conventional systems and systems with reversible key. Patent protected key section series and key section series with unlimited protection of trademark.

General design

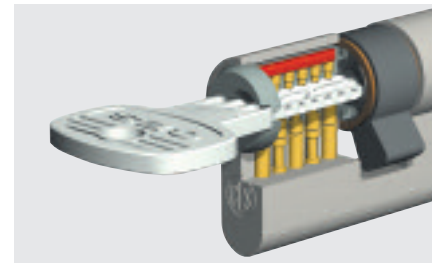
- basic lengths
 - 5-pin cylinder 27.5 mm/27.5 mm
 - 6-pin cylinder 31.5 mm/31.5 mm
 - 7-pin cylinder 35.5 mm/35.5 mm
 - extension in 4/5 mm increments
- different finishes available, see page 17
- different knobs with different materials and finishes available, see page 17
- for quality reasons within key systems we generally deliver keys of nickel silver
- anti-drilling/anti-pulling protection available, see page 17



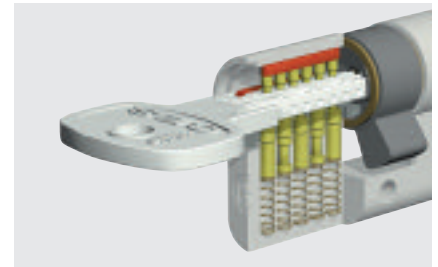
SP
conventional
patent protected
wide range of variations
5-, 6- or 7-pin key system



KM
conventional,
trademark protected
wide range of variations
5-, 6- or 7-pin key system



WZ
reversible key
up to 19 locking elements
patent protected
wide range of variations
5-pin key system



WM
reversible key
trademark protected
up to 25 locking elements
wide range of variations
5-, 6- or 7-pin key system



CES high security profile cylinders



CES high security profile cylinders were specially designed for access to private housing, shops and small-size offices. Most important criteria were security and locking convenience.

Security

Special hard metal inserts in the housing and the core of the cylinder provide a reliable protection against drilling and pulling. Special anti-picking devices prevent from illegal opening.

High security cylinders are delivered generally in a special key section. As no keyblanks of these are existing on the market, duplicate or spare keys can only be obtained from authorized dealers against presentation of the security card.

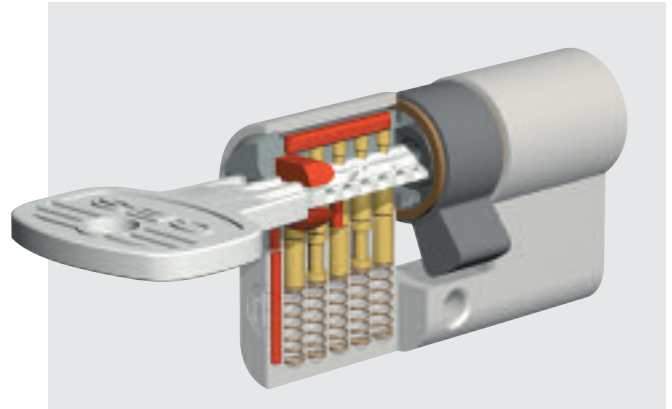
The double cylinders are equipped generally with emergency function (although if a key is inserted from the inside, the cylinder can be operated from the outside).

Locking convenience – one key for all

With CES security cylinders you can equip an entire house so that virtually all doors can be opened with the same key. Therefore CES offers the security cylinders also in keyed alike versions and different types of cylinders such as double-, half-, knob- and cam cylinder as well as padlock and rim lock with outside cylinder.

Changeable key locking (optional)

The scope of supply for this optional version includes a second key set and an additional security card. In case of a key loss the key locking can be changed easily by using the second key set. After one turn with the key of the second key set the key locking will be changed and the original keys will not operate any more.



Reversible profile cylinder 910 WR VdS certified cylinder

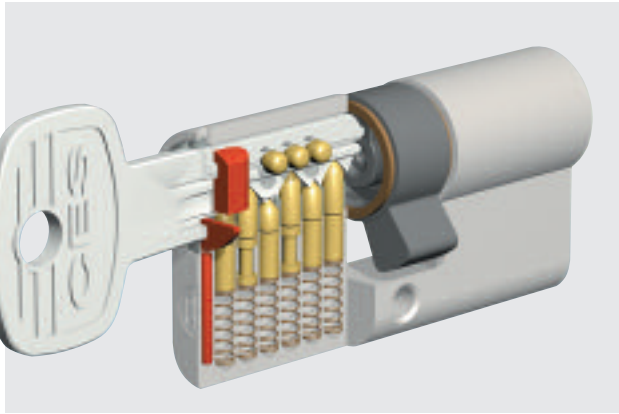
High-end product in terms of security and comfort.

As many as 17 locking elements prevent any unauthorized operation. Perfectly placed hard metal inserts make a forcible opening of the cylinder virtually impossible. Complete with effective antipicking protection.



- basic length 55 mm, extension in 4/5 mm increments
- up to 17 locking elements
- special key section, emergency function
- antidrilling and antipulling protection
- satin nickel plated finish (glass bead blast)
- 5 nickel silver keys including purse key
- security card and maintenance/installation instructions
- delivered in a sealed plastic box

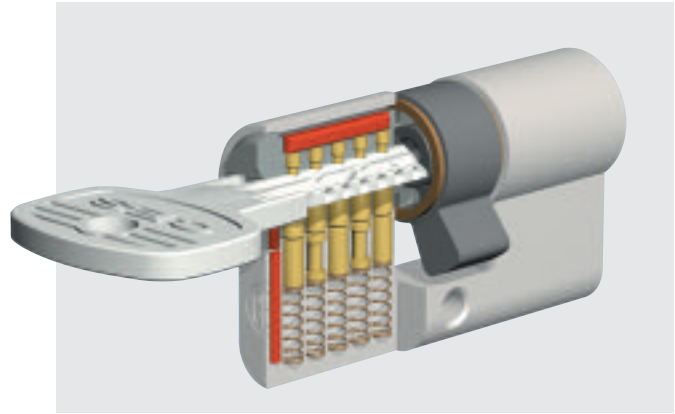




Conventional profile cylinder 810 RE 5/6

5- or 6-pin tumblers respectively, and 3 lateral control pins ensure highest locking accuracy. With its high-quality antidrilling and antipulling protection (with VdS approval), this is a first class security cylinder. This was also confirmed by the German testing foundation Stiftung Warentest, which in August 2003 awarded the 810 RE 5 cylinder a „SEHR GUT“ (Excellent) rating.

- basic length 55 mm, extension in 4/5 mm increments
- up to 9 locking elements
- special key section, emergency function
- antidrilling and antipulling protection with VdS approval
- satin nickel plated finish (glass bead blast)
- 5 nickel silver keys including purse key
- security card and maintenance/installation instructions
- delivered in a sealed plastic box



Reversible profile cylinder 810 WP

Total security can be affordable, as our entry-level product in the top security class demonstrates. With up to 11 locking elements and an effective antidrilling protection, it meets all requirements of a security cylinder.

- basic length 55 mm, extension in 4/5 mm increments
- up to 11 locking elements
- emergency function
- antidrilling protection
- satin nickel plated finish (glass bead blast)
- 3 nickel silver keys, security card
- delivered in a sturdy package

