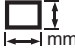

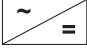
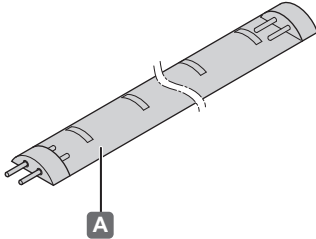




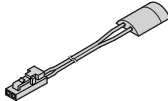
LED 2011

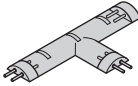
833.73.250, 833.73.252
 833.73.260, 833.73.262
 833.73.270, 833.73.300
 833.73.310

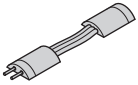
	12V System	K	W	T _A	 mm	 mm	
A	<input type="checkbox"/> 833.73.250	5000 K	0.8 W	-20 °C – +35 °C -4 °F – +95 °F	300 x 8 x 2.5	≥ 310 x 18 x 3.5	833.74.900 833.74.901 833.74.913 833.74.914 833.74.917 833.74.918
	<input checked="" type="checkbox"/> 833.73.270	5000 K					
	<input type="checkbox"/> 833.73.260	3200 K					
	<input type="checkbox"/> 833.73.252	5000 K					
C	<input type="checkbox"/> 833.73.262	3200 K	5.0 W		2000 x 8 x 2.5	≥ 2010 x 18 x 3.5	
	<input type="checkbox"/> 833.73.300	5000 K					
	<input type="checkbox"/> 833.73.310	3200 K					
	<input type="checkbox"/> 833.73.310	3200 K					
			0.2 W		75 x 8 x 2.5	≥ 85 x 18 x 3.5	




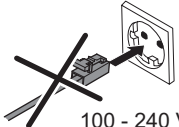
+

B  833.74.712


C  833.73.300 (5000 K)
833.73.310 (3200 K)

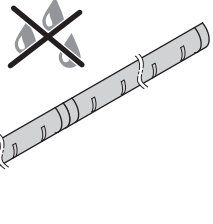
D  833.74.713

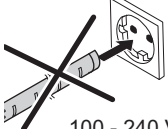
i 



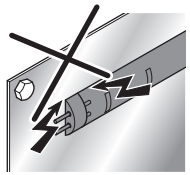
100 - 240 V~







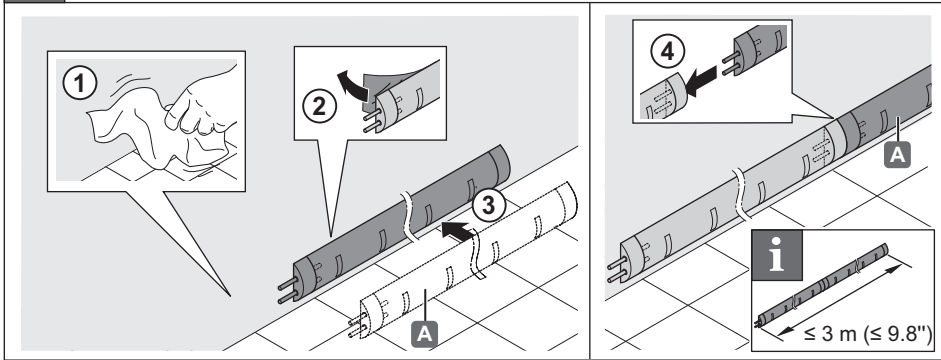
100 - 240 V~



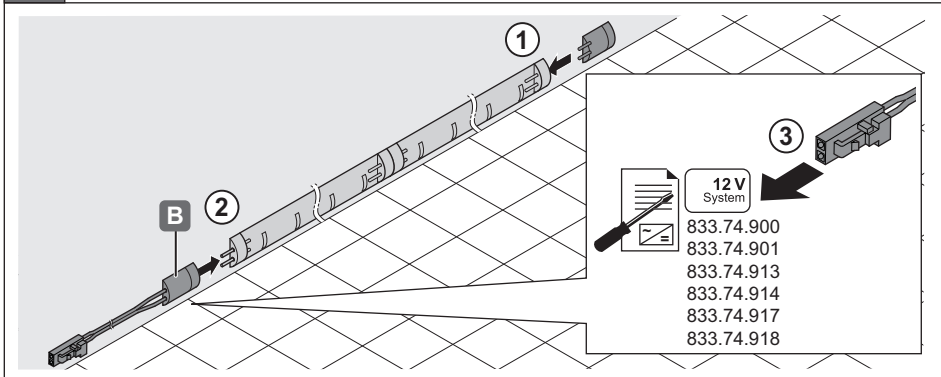
HDE 12.12.2012

732.28.210

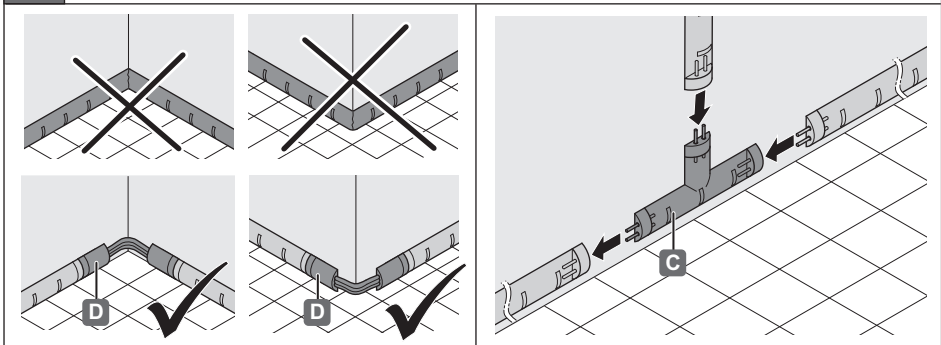
1



2



+



HDE 12.12.2012

732.28.210