



LED 2013
LED 2015

833.73.330, 833.73.331
833.73.340, 833.73.350
833.73.360, 833.73.400
833.73.401, 833.73.410

12 V System		K	W	T _A			
LED 2013	833.73.330	3200 K	25 W	-20 °C – +35 °C -4 °F – +95 °F	5000 x 8 x 2.5	≥ 5010 x 18 x 3.5	
	833.73.331	4000 K					
	833.73.340	6400 K					
	833.73.350	blue					
	833.73.360	red					
LED 2015	833.73.400	3200 K	40 W	-20 °C – +35 °C -4 °F – +95 °F	5000 x 10 x 2.5	≥ 5010 x 20 x 3.5	
	833.73.401	4000 K					
	833.73.410	6400 K					
	833.73.420	blue					
	833.73.430	red					



A ≤ 60W

+

B 833.74.718

C 833.74.715 (50 mm)
833.74.719 (500 mm)
833.74.716 (2000 mm)

D 833.74.720

i

100 - 240 V~

100 - 240 V~

1

A

i

	LED 2013	LED 2015
12 V / 15 W	X ≤ 3 m	X ≤ 1.9 m
12 V / 30 W	X ≤ 5 m	X ≤ 3.8 m

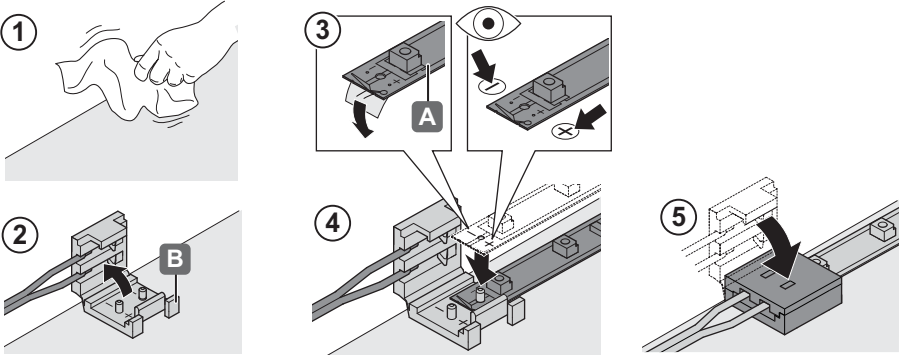
1

A

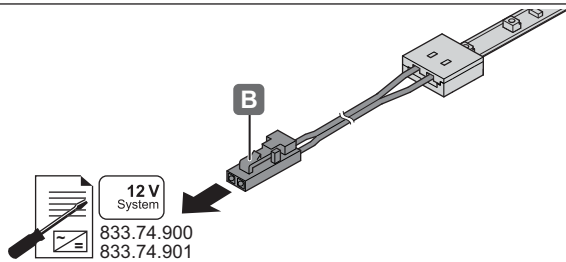
i

	LED 2013	LED 2015
12 V / 15 W	X ≤ 3 m	X ≤ 1.9 m
12 V / 30 W	X ≤ 5 m	X ≤ 3.8 m

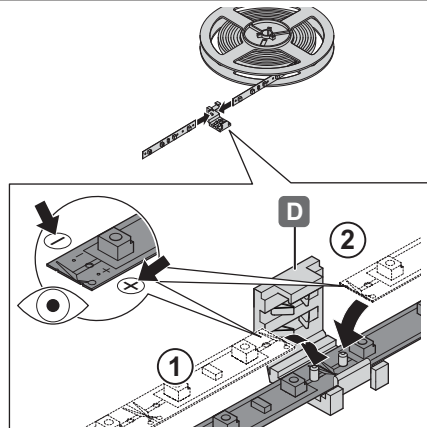
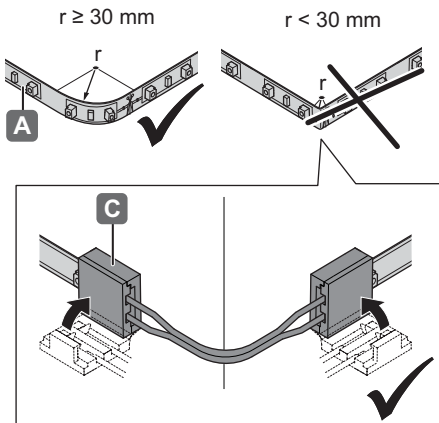
2



3



+



HDE 10.12.2012

732.28.208