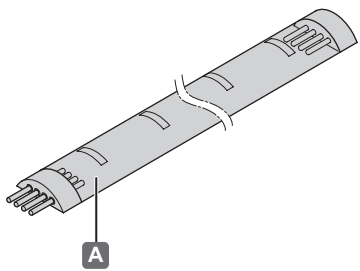




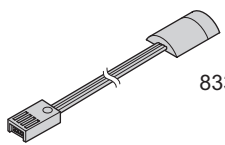
LED 2012

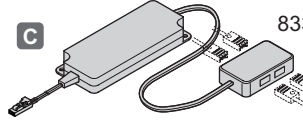

833.73.320
833.73.322

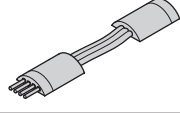
12 V System	K	W	T _A	mm	mm	
833.73.320	RGB	2.0 W	-20 °C – +35 °C	300 x 10 x 2.5	≥ 310 x 20 x 3.5	833.74.900
833.73.322		12 W	-4 °F – +95 °F	2000 x 10 x 2.5	≥ 2010 x 20 x 3.5	833.74.901




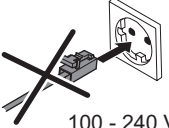
+

B  833.74.711


C  833.74.700 


D  833.74.710
833.74.762 (500 mm)

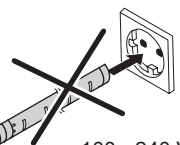
1 



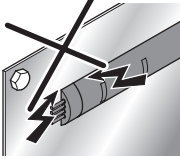
100 - 240 V~

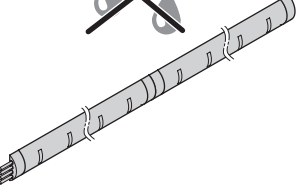






100 - 240 V~



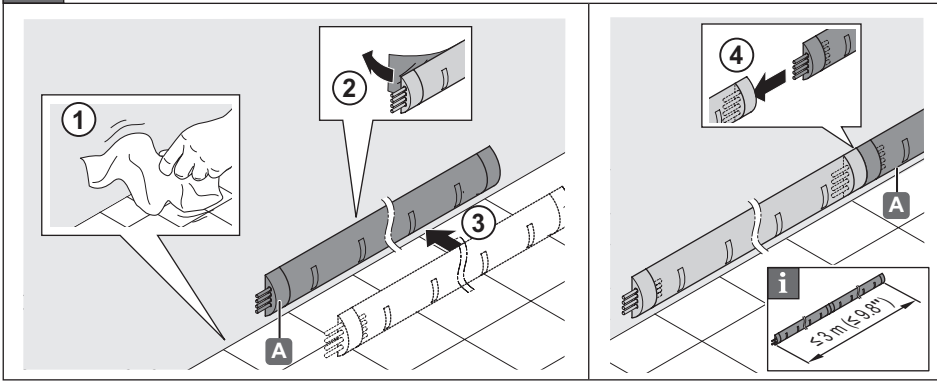


Maße in mm – Dimensions in mm – Medidas en mm

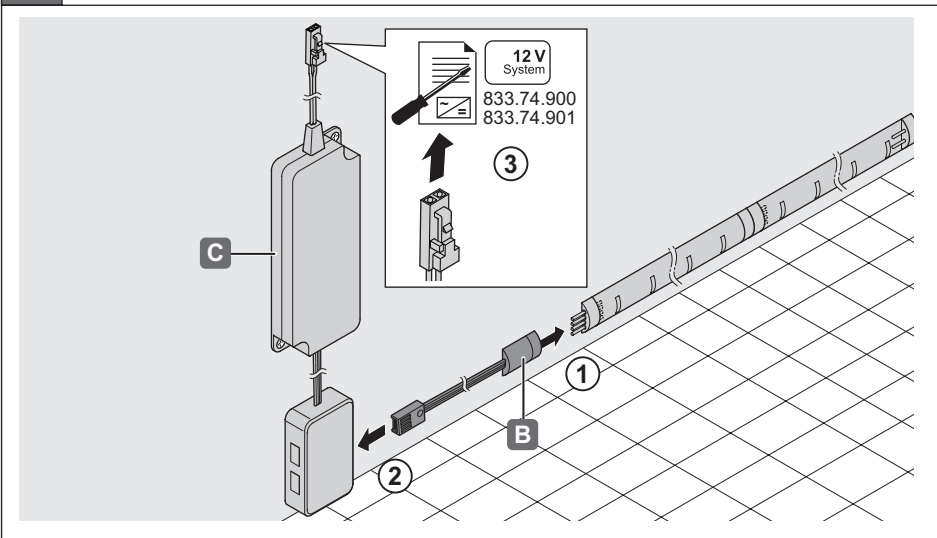
HDE 26.01.2012

732.28.213

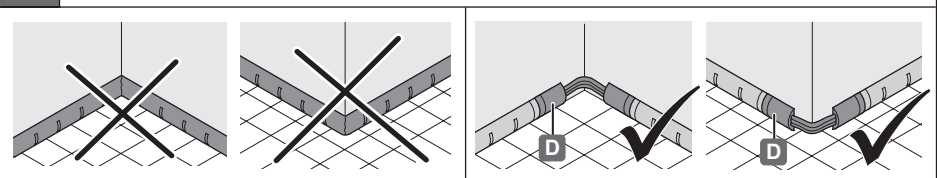
2



3



+



Maße in mm – Dimensionen in mm – Medidas en mm

HDE 26.01.2012

732.28.213