



**LED 2014**  
**LED 2016**

**833.73.370**  
**833.73.450**

|          | 12 V System | K   | W    | T <sub>A</sub>                    | lmm             | mm                |                          |
|----------|-------------|-----|------|-----------------------------------|-----------------|-------------------|--------------------------|
| LED 2014 | 833.73.370  | RGB | 24 W | -20 °C – +35 °C<br>-4 °F – +95 °F | 5000 x 12 x 2.5 | ≥ 5010 x 22 x 3.5 | 833.74.900<br>833.74.901 |
| LED 2016 | 833.73.450  | RGB | 36 W |                                   |                 |                   |                          |

Maße in mm – Dimensions in mm – Medidas en mm

|          |          |   |  |
|----------|----------|---|--|
| <b>+</b> | <b>C</b> | 833.74.717  |  |
|          | <b>D</b> | 833.74.750 (50 mm)<br>833.74.727 (500 mm)<br>833.74.752 (2000 mm) |  |
|          | <b>E</b> | 833.74.728  |  |
|          | <b>F</b> | 833.74.700  |  |

**1**

100 - 240 V~

100 - 240 V~

**2**

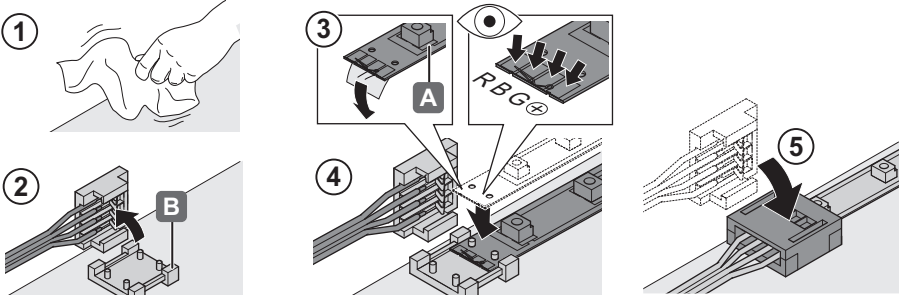
**i**

|             | LED 2014       | LED 2016         |
|-------------|----------------|------------------|
| 12 V / 15 W | <b>X ≤ 3 m</b> | <b>X ≤ 1.9 m</b> |
| 12 V / 30 W | <b>X ≤ 5 m</b> | <b>X ≤ 3.8 m</b> |

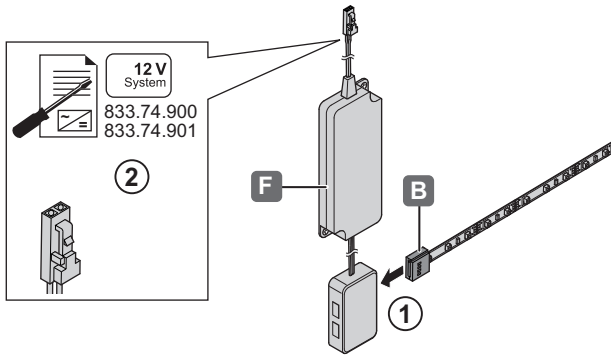
HDE 30.08.2011

732.28.215

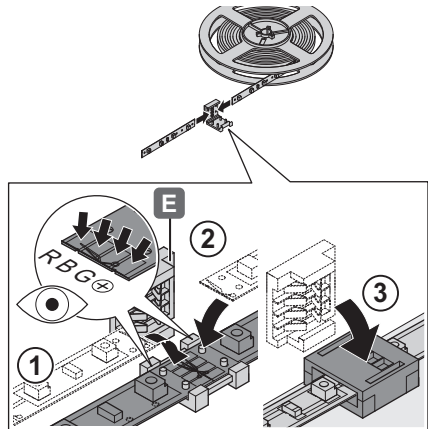
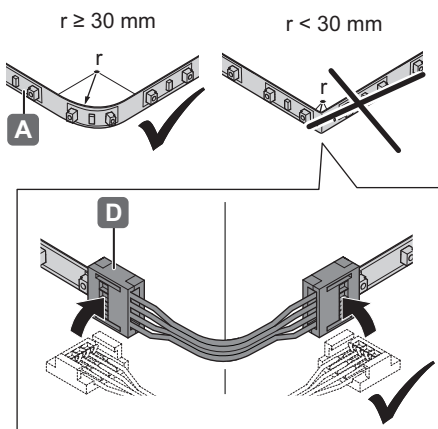
3



4



+



Maße in mm – Dimensions in mm – Medidas en mm

HDE 30.08.2011

732.28.215