


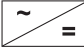
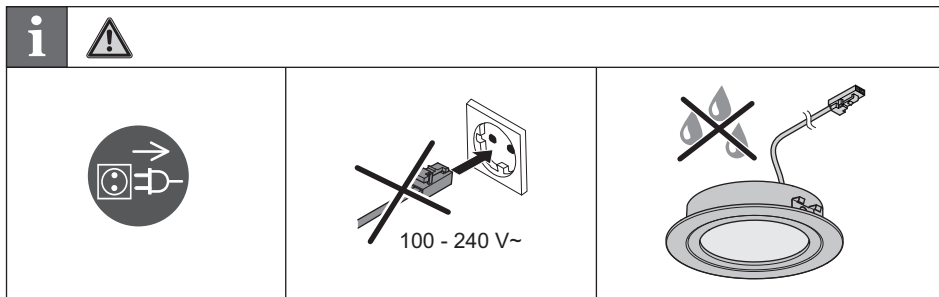
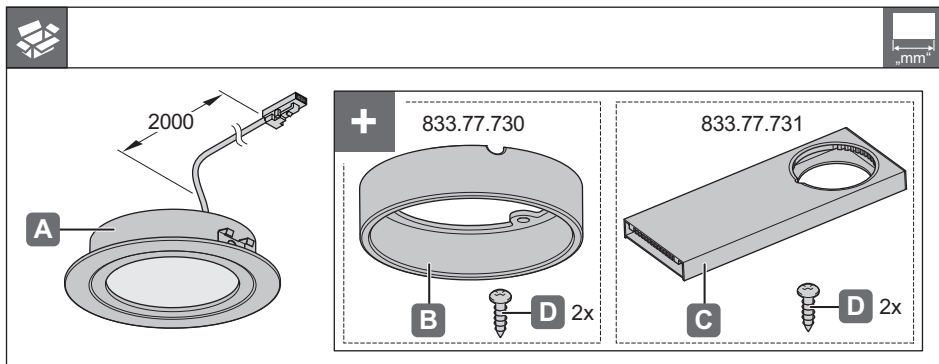




**LED 3010**

833.75.040  
833.75.041  
833.75.042

	<b>K</b>	<b>W</b>	<b>T<sub>A</sub></b>			
833.75.040	3000 K	3.25 W	-20 °C – +35 °C -4 °F – +95 °F	Ø 65 x 12	≥ Ø 75 x 22	833.77.900
833.75.041	4000 K					833.77.901
833.75.042	6000 K					833.77.912
						833.77.913
						833.77.914
						833.77.915



HDE 12.04.2013

732.28.283

