

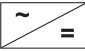
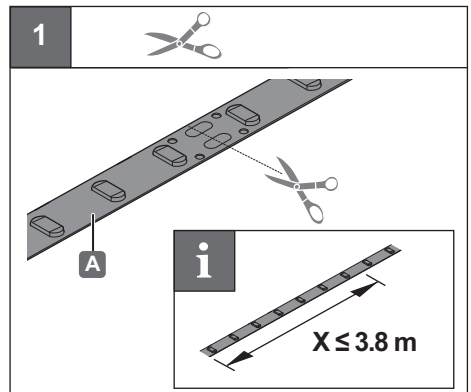
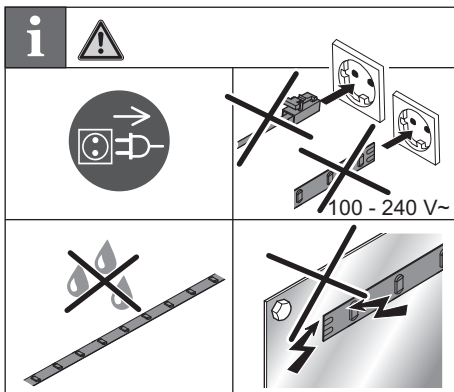
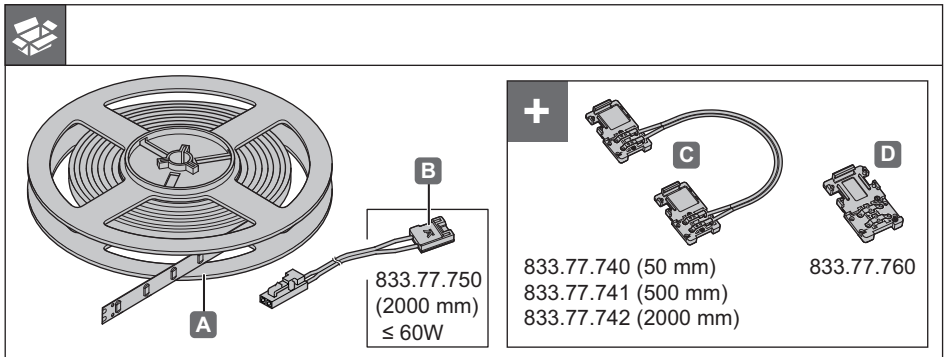




LED 3013

833.76.070
833.76.071
833.76.072

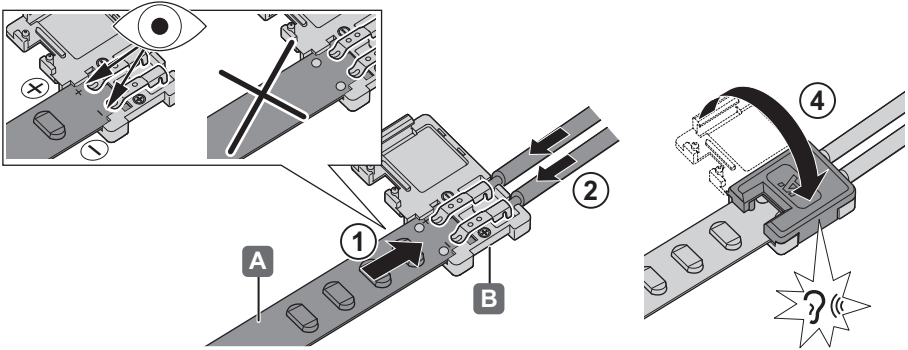
24 V System	K	W	T _A			
833.76.070	3000 K	16 W/m	-20 °C – +35 °C -4 °F – +95 °F	5000 x 10 x 2.5	≥ 5010 x 20 x 12.5	833.77.900
833.76.071	4000 K					833.77.901
833.76.072	6000 K					833.77.912
						833.77.913
						833.77.914
						833.77.915



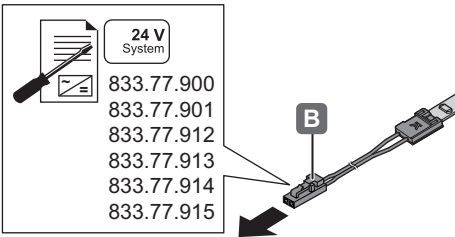
HDE 31.05.2013

732.28.286

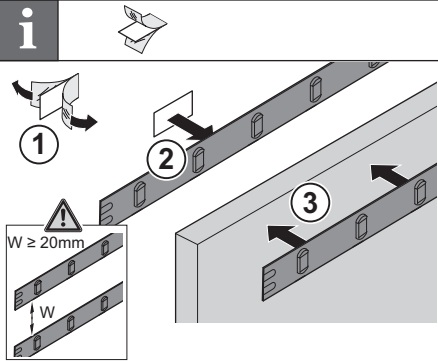
2



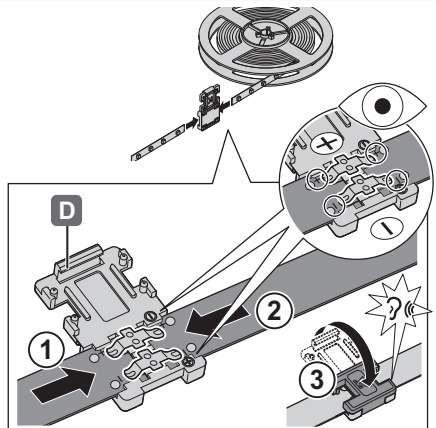
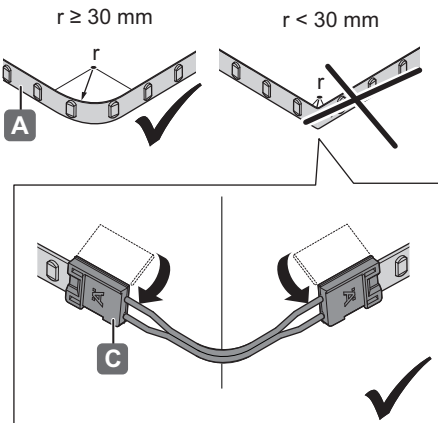
3



i



+



HDE 31.05.2013

732.28.286