



**LED 3017**

**833.77.010**  
**833.77.011**  
**833.77.770**  
**833.77.771**  
**833.77.772**

24 V System	K	W	T <sub>A</sub>	mm	mm	
833.77.010	2700-5000 K	1.8 W	-20 °C – +35 °C -4 °F – +95 °F	330 x 10.0 x 2.5	≥ 340 x 20.0 x 12.5	833.77.900
833.77.011		11 W		2000 x 10.0 x 2.5	≥ 2010 x 20.0 x 12.5	833.77.901
833.77.770		0.9 W		166.5 x 10.0 x 2.5	≥ 176.5 x 20.0 x 12.5	833.77.912
833.77.772				157.5 x 10.0 x 2.5	≥ 167.5 x 20.0 x 12.5	833.77.914
833.77.771						833.77.915

**+**

**A** 833.77.797 (2000 mm) ≤ 60W

**B** 833.77.770

**C** 833.77.772

**D** 833.77.771

**E** 833.77.797 (2000 mm) ≤ 60W

**F** 833.77.793 (50 mm)  
833.77.794 (500 mm)  
833.77.795 (1500 mm)

**G** 833.77.780

**H** 833.77.721

**I** 833.77.781

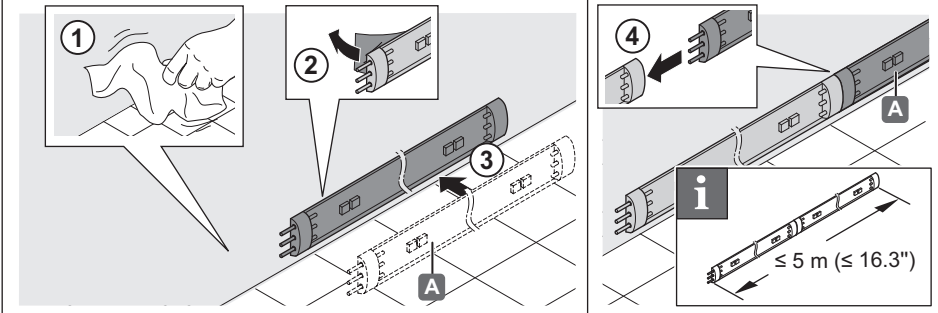
**i** **⚡**

100 - 240 V~

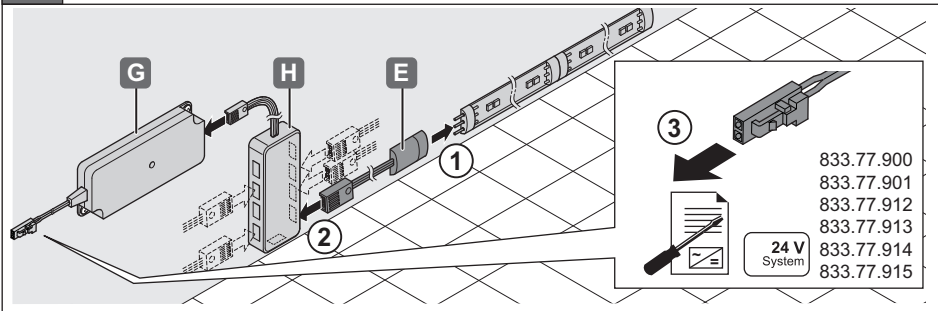
HDE 11.12.2012

732.28.278

1



2



+

