

**Suitable for RH/LH USE
INSTALLATION**

1 Fixing and installation of the body

③ 3/16"x1"L
 ④ M5x15L
 ⑤ M5x12L

The screw holes for the M5xp0.8 screws should be chamfer.

2 Fixing and installation of the track arm.

Stopper
 Fixing part
 M5x15L
 Track 3/16"x1"L

3 Combining the main arm and body.

Main Arm
 M5x12L
 Washer

4 Combining the main arm and stopper.

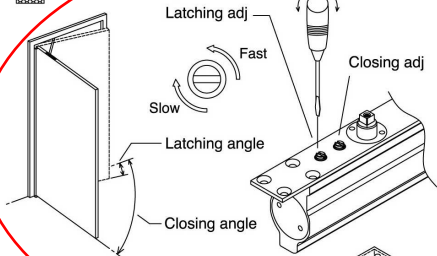
Fixing screw M8

5 Opening angle and closing speed adjustment.

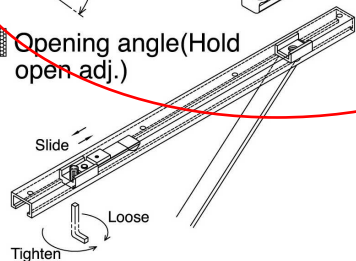
Fast Slow

NO	Parts	QTY	NO	Parts	QTY
①	Body	1	⑪	Washer	1
②	Fixing plate	1	⑫	M5x15L	4
③	Main Arm	1	⑬	3/16"x1L (wooden screw)	4
④	Track	1	⑭	M5x12L	4
⑤	Stopper	1	⑮	M5x15L	4
⑥	Valve plate	1	⑯	3/16"x1"L	4
⑦	Fixing part	1	⑰	Up gear	1
⑧	Fixing screw M8	1	⑱	Down gear	1
⑨	Wrench 5mm	1	⑲	Washer	1
⑩	M5x12L	1	⑳	M4x8L	1
			㉑	M3x5L	1

SPEED Adjustment

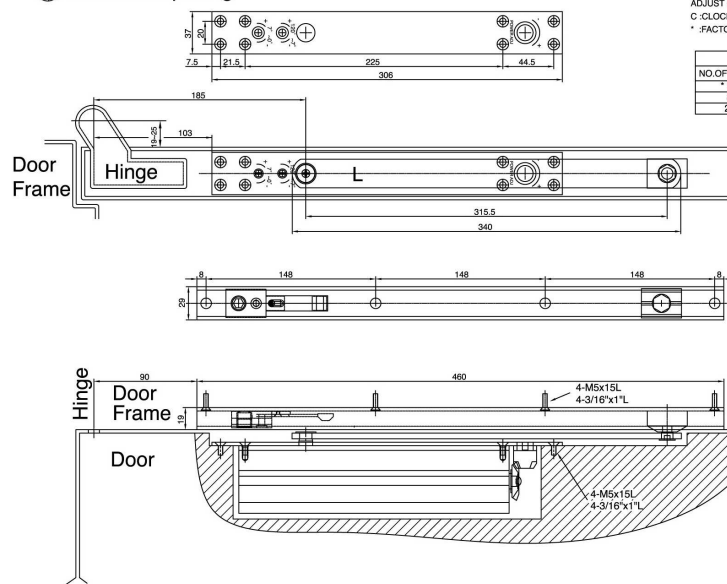


Opening angle(Hold open adj.)



Concealed Door Closer

Left hand opening



SPRING POWER ADJUSTMENT
ADJUST CLOSER SIZE ACCORDING TO CHART BELOW

C : CLOCKWISE
* : FACTORY PRE-SET

2-4 MODEL		
NO.OF TURNS	DIRECTION	SIZE
* 0	-	2
8	C	3
20	C	4

Right hand opening

