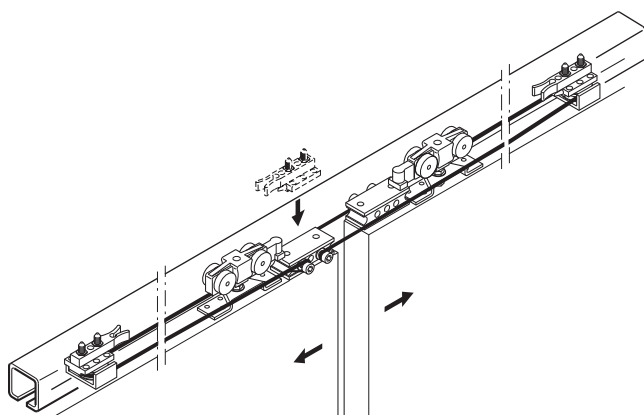


## Classic Synchro Additional set

For Classic 40-P to 120-P sliding door fittings



- Area of application: For 2-leaf sliding doors
- Functionality: For symmetrical opening of 2 door leaves
- Door width:  $\geq 600$  and  $\leq 1,500$  mm

### → Classic Synchro Additional set

#### Note

The additional set can only be used in combination with standard equipment consisting of two sets for 1-leaf sliding doors (Classic 40-P, 60-P, 80-P or 100-P) and running track.

Not suitable for versions with soft and self closing mechanism.

	Cat. No.
For 2-leaf sliding doors	940.44.002

### → Classic Synchro Set components

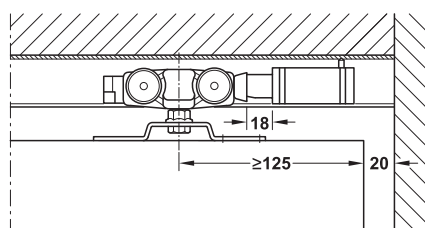
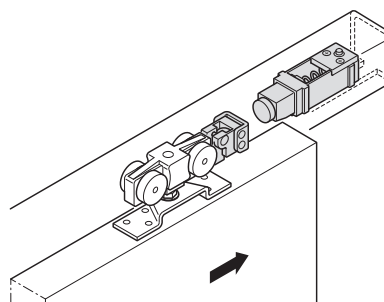
		For 2 doors	Cat. No.
Track buffer with deflection roller		2 pieces	940.44.070
Cable fixing block		2 pieces	940.44.073
Cable without plastic sheathing, 10 m		1 piece	940.44.074

#### Order reference

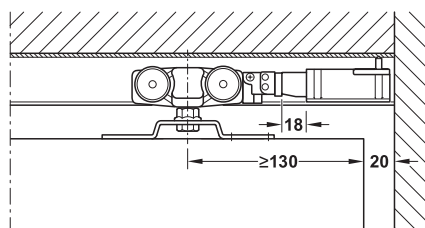
Catalogue numbers apply to 1 piece. Please specify required quantity when ordering individual components.  
Please order additional cable for door widths  $> 1,250$  mm separately.

## Track stopper additional set

For Classic 40-P to 120-P, 40-O to 120-O and 40-I to 120-I sliding door fittings



Track stopper



Track stopper with magnetic pull

#### Note

Not suitable for use in conjunction with soft and self closing mechanism.

- Functionality: The track stopper replaces the sprung handle with sliding doors that run in walls. The door bounces back out of the cavity after pushing it slightly so that the flush pull handle can be reached.  
When using the track stopper version with magnetic pull, then the door is additionally held in open position.
- Installation: The track stopper is pushed into the running track from the front edge and fixed using fixing screw. A wall distance of min. 20 mm must be provided in order to ensure the functionality of the soft closing action.

		Door weight kg	Cat. No.
Track stopper		40	940.42.070
		80	940.42.071
		120	940.42.072
Track stopper, with magnetic pull		40	940.42.310
		80	940.42.311
		120	940.42.312

