

New



Hardware system for all-glass sliding doors with concealed suspension

HAWA-Puro 100–150



Bright prospects for transparent room design with unique,
fully integrable sliding hardware

HAWA-Puro 100–150

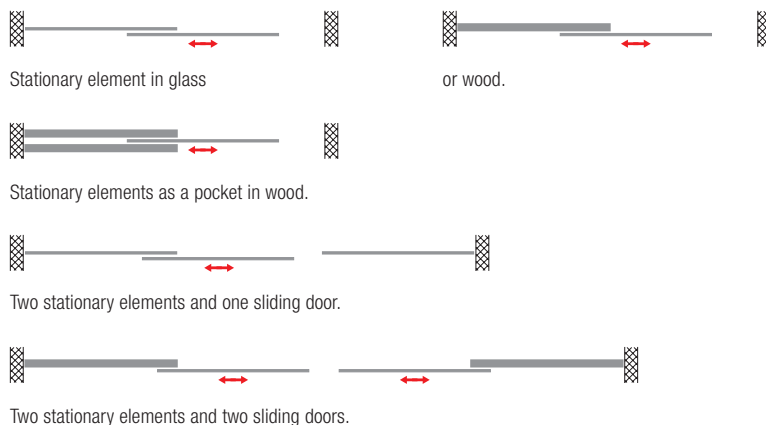


Do you want to partition and design rooms with glass? Then look forward to a hardware system that does true justice to the elegance and transparency of this attractive material: the new HAWA-Puro 100–150. Its chief attraction: you can completely integrate its top tracks in both concrete and suspended ceilings. Thus, in conjunction with concealed suspension, it makes the design ideal of the invisible hardware system a reality. In addition it can become an attractive eye-catcher with surface-mounted top tracks. Either way it is an excellent choice for use in public and private rooms.

About the product

Fascinating aesthetics, excellent sliding properties, exemplary ease of installation: these are a few reasons that make HAWA-Puro sliding solutions an undiluted pleasure. High-quality runner bearing technology allows you to move doors weighing up to 150 kg (330 lbs.) effortlessly and quietly along anodised top tracks. During assembly you can benefit from advantages such as removable additional profiles for conveniently covering and integrating stationary glass units, punctiform rattle-proof floor guides, centric glass suspension, and the new, patent-pending wedge suspension. No wonder, then, that the HAWA-Puro 100–150 is held in high repute not only by design purists.

Another HAWA-Puro advantage: flexible combination options for one-sided stationary wood and/or glass sections, or as sliding door pockets on both sides.



Technical specifications

Door weight

up to 100, 150 kg (220, 330 lbs.)

Glass thickness of sliding door

ESG 8/10/12/12,7 mm ($\frac{5}{16}$ "/ $\frac{13}{32}$ "/ $\frac{15}{32}$ "/ $\frac{1}{2}$ "

VSG 8–13 mm ($\frac{5}{16}$ "/ $\frac{33}{64}$ "

Glass thickness for stationary glass

ESG/ VSG 10–12 mm ($\frac{13}{32}$ "/ $\frac{15}{32}$ "

with silicone up to 13 mm ($\frac{33}{64}$ "

Trolleys

HAWA-Puro 100 4 rollers

HAWA-Puro 150 6 rollers

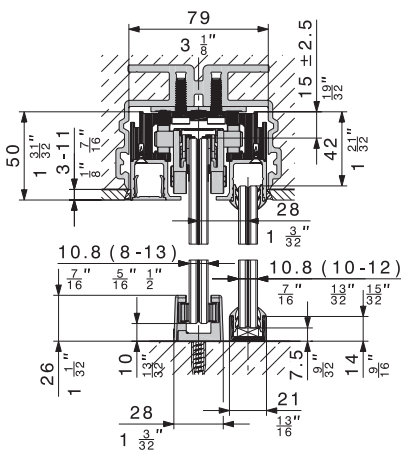
At a glance

- Purist design solution thanks to the hardware technology completely integrated into the top track.
- Ceiling-flush top tracks in plain anodised or stainless steel effect, fully integrated in concrete or light-weight suspended ceilings, or surface-mounted.
- High degree of operational safety thanks to form-fitting, totally stable connections between hardware and glass.
- New, patent-pending wedge suspension for rapid height adjustment and trouble-free installation.
- The continuous floor guide in combination with the glass retention profile enables a stable two-point guide system for door widths from 1500 mm (4'11 $\frac{1}{16}$ ").
- High-quality ball bearing technology for outstanding running properties and enhanced durability.
- Removable additional profiles allow access to glass suspension units and the integration of stationary elements at any time.
- Usable with laminated sheet glass and toughened safety glass and therefore flexible in design and application.
- Two-part punctiform and rattle-proof floor guide facilitates door installation and prevents rattling caused by airflow.
- Practical accessories: lug angle for suspended ceilings, seals against draught and for edge protection.



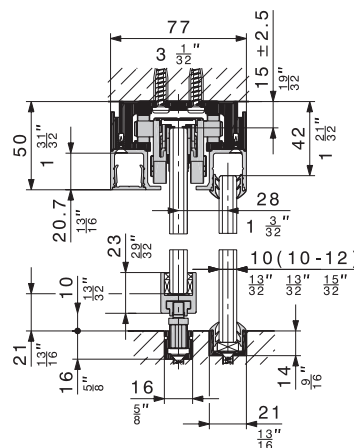
Increased safety and versatile design options thanks to laminated sheet glass.

Integration in concrete ceilings



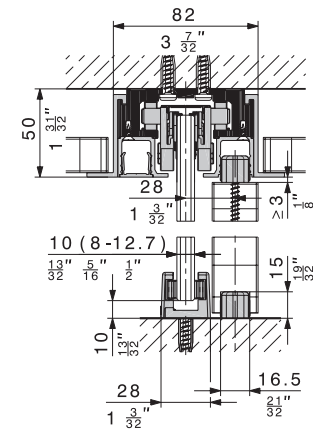
Two-part, rattle-proof floor guide and stationary glass in a continuous, surface-mounted floor profile.

Surface-mounted top track installation



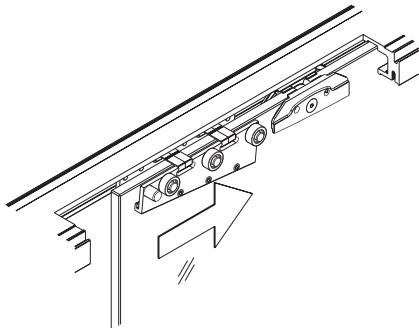
Continuous glass retention profile with rattle-proof floor guide and stationary glass element in an inset floor profile.

Integration in suspended ceilings with ceiling lug angles



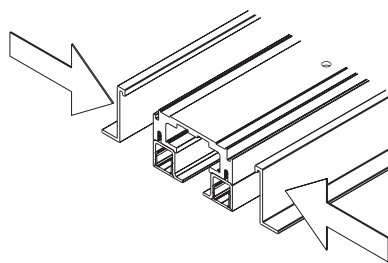
Two-part, rattle-proof floor guide and stationary element made of wood or other materials.

Wedge suspension for sliding glass doors



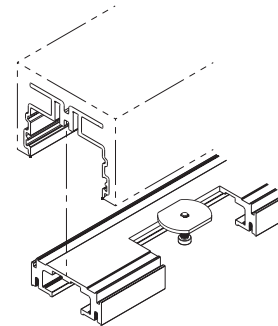
Patent pending: wedge suspension that sets new standards for fast assembly and easy height adjustment for sliding glass doors.

Joint profile for suspended ceiling



Facilitates the design of suspended lightweight ceilings: the ceiling joint profile that matches the top track and carries up to 15 kg (33 lbs.) per metre.

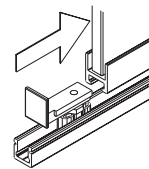
HAWA-Adapto 100-150/P lets top tracks disappear into the ceiling



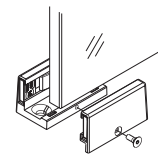
Integration of the top track in a concrete ceiling: Integrating the HAWA-Adapto 100-150/P inset system into the building shell is easy and cost-effective and enables top tracks to be fitted flush with the ceiling.



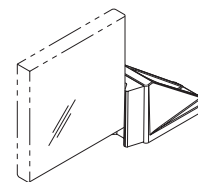
Floor guide variant



Continuous, rattle-proof floor guide.



Rattle-proof floor guide, 2-part.

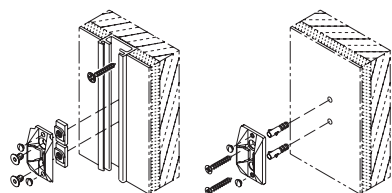
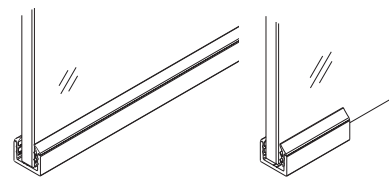


Easy, rattle-proof and stable sliding: with a two-part floor guide or continuous guiding profile recommended for widths from approx. 1500 mm (4'11¹/₁₆"). And top and bottom door stoppers that stop doors quietly and gently.

The perfect finishing touch: accessories and supplementary parts

Floor/wall profile for stationary glass

Elegant stability for stationary glass: the surface mounted or flush-fitting retention profile. Or, for light loads, just with the glass retainer fitting measuring only 50 mm ($1\frac{31}{32}$) in length.



Black glass centering assemblies integrated in wall profile.

Or grey to screwing on.

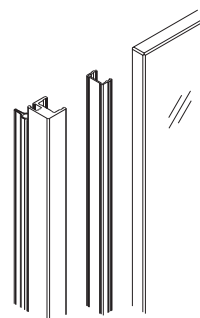
Wall profile with centering assemblies

Easily fitted and quickly positioned: the profile with an integrated rubber stop is the perfect wall fixture for all-glass sliding doors with unprotected glass edges.



Vertical seal profile

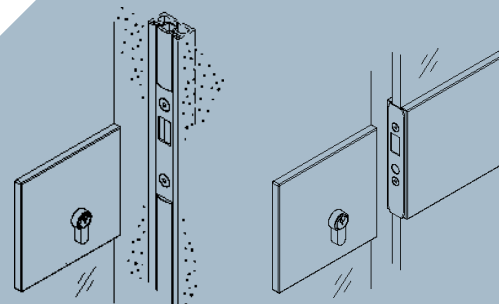
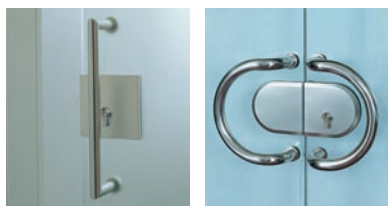
Silent, draught-free and without a trace of visible wear and tear even after years of use: The slim-line aluminium profile is a perfect match for stationary glass.



Optional alu profile with rubber seal against draughts.

HAWA-Toplock, the lock at the top

Of practical and aesthetical value: the safety lock that harmonises with any design thanks to cleverly designed plastic covers available in chromium plate, matt, brass, stainless steel or plain anodized for painting.



Wall-mounted fixture with integrated striking plate.

With counter case for two-door systems.

Further information:

Hawa AG
CH-8932 Mettmenstetten
Switzerland
Tel. +41 44 767 91 91
Fax +41 44 767 91 78
www.hawa.ch

